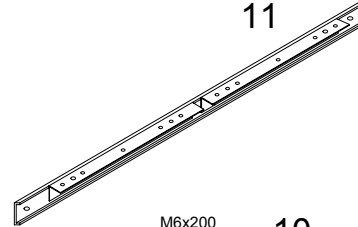
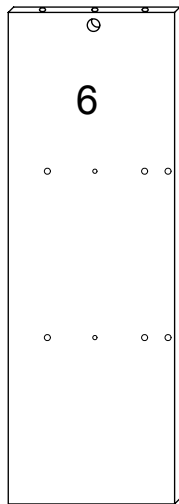
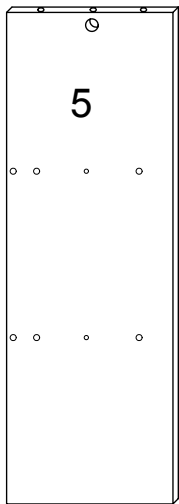
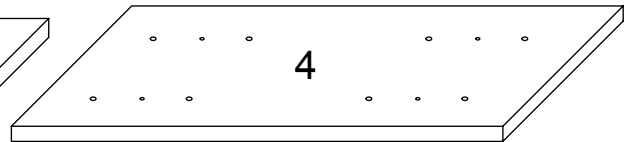
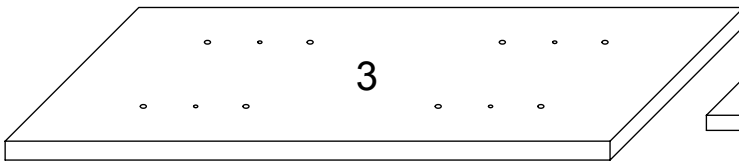
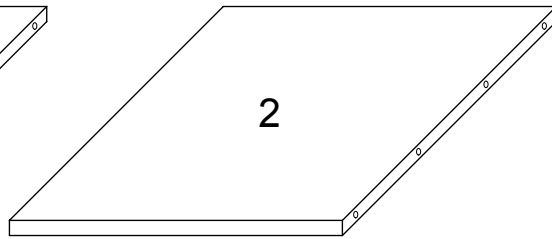
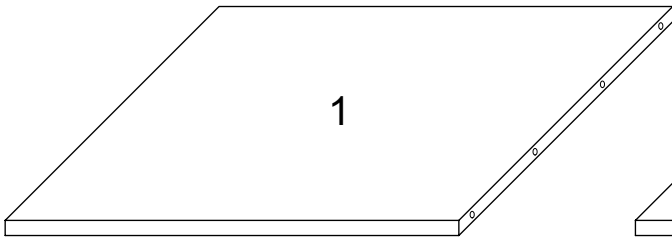
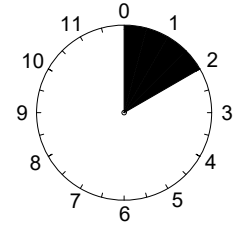
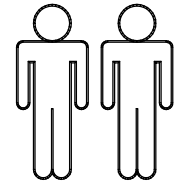
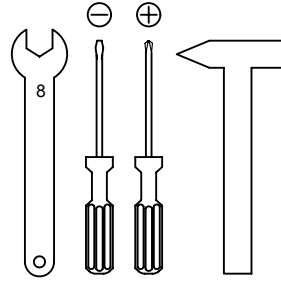
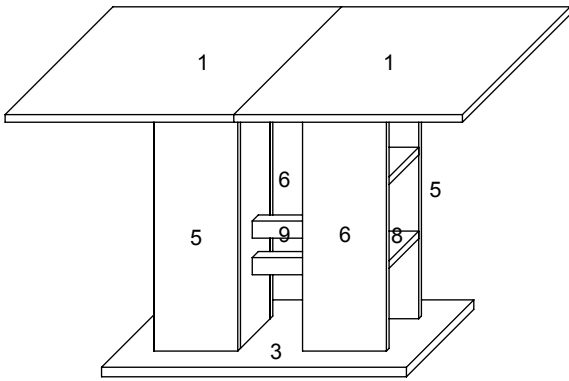
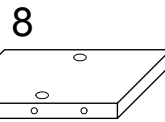
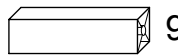


"Steffi"



M6x200 10

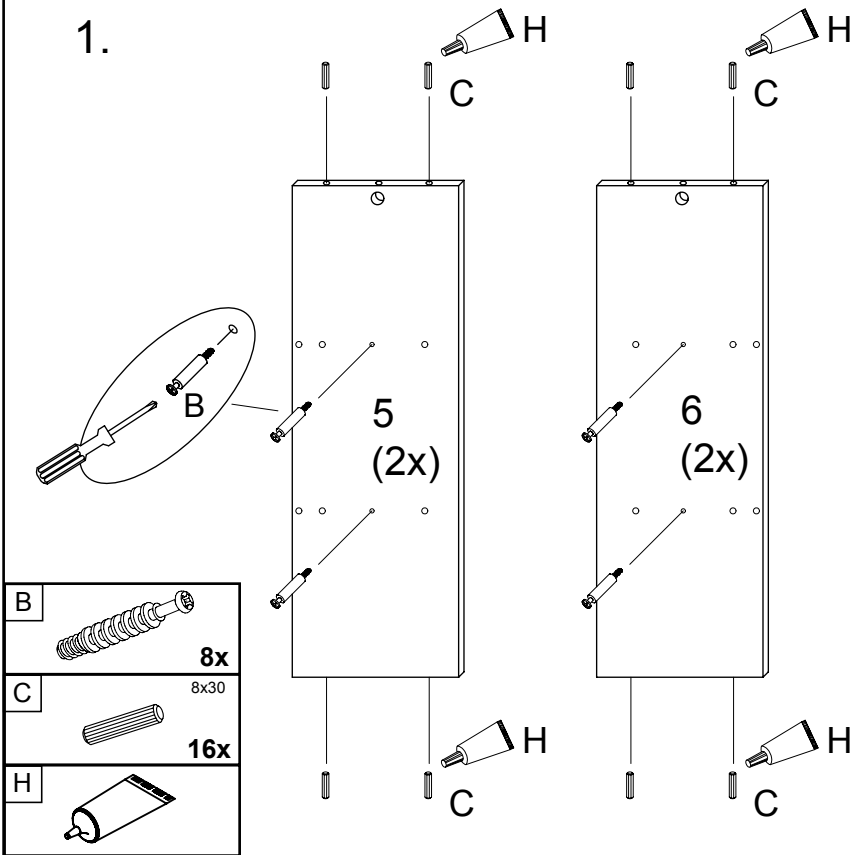


1	2x
2	1x
3	1x
4	1x
5	2x
6	2x
7	2x
8	4x
9	2x
10	2x
11	2x

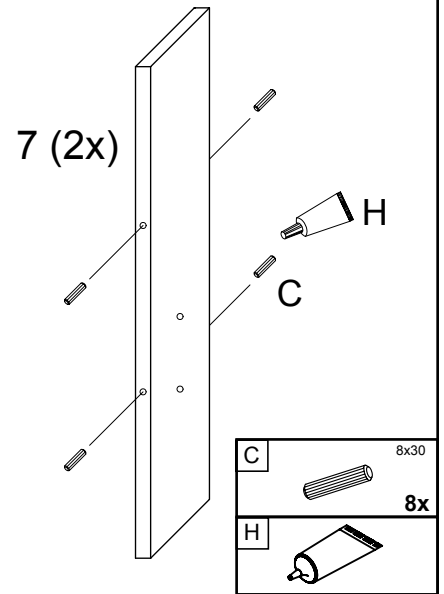
A 7x60 4x	B 39mm 12x	C 8x30 40x	D Ø 15/14,5 12x	E 4mm 2x	F M6 4x
G D=15mm 12x	H 2x	J 4x15 32x	K M5x8 8x	L M5 8x	M 8x
N 8x20mm 8x	P 8x12mm 8x	Q 2x	R Ø 18 4x	S 2x	

I.

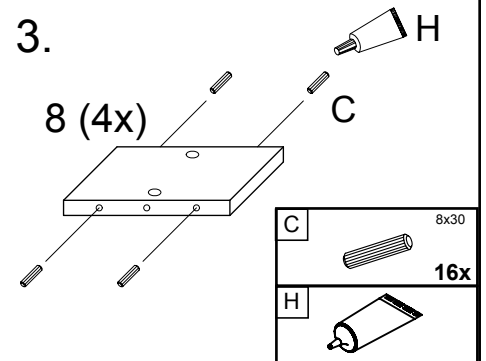
1.



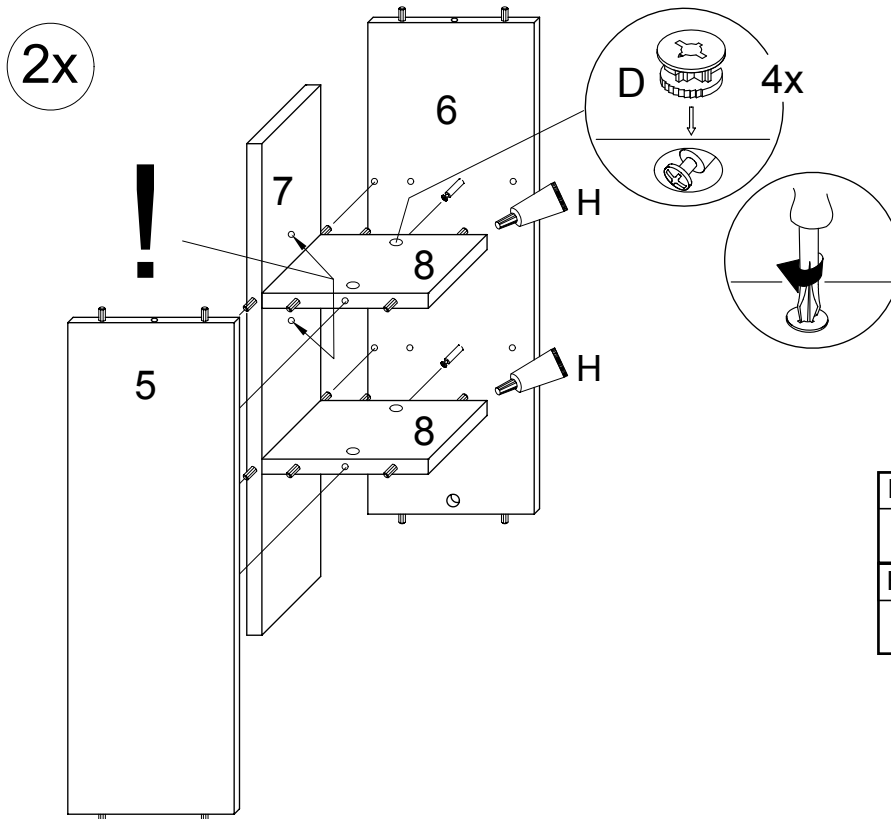
2.



3.

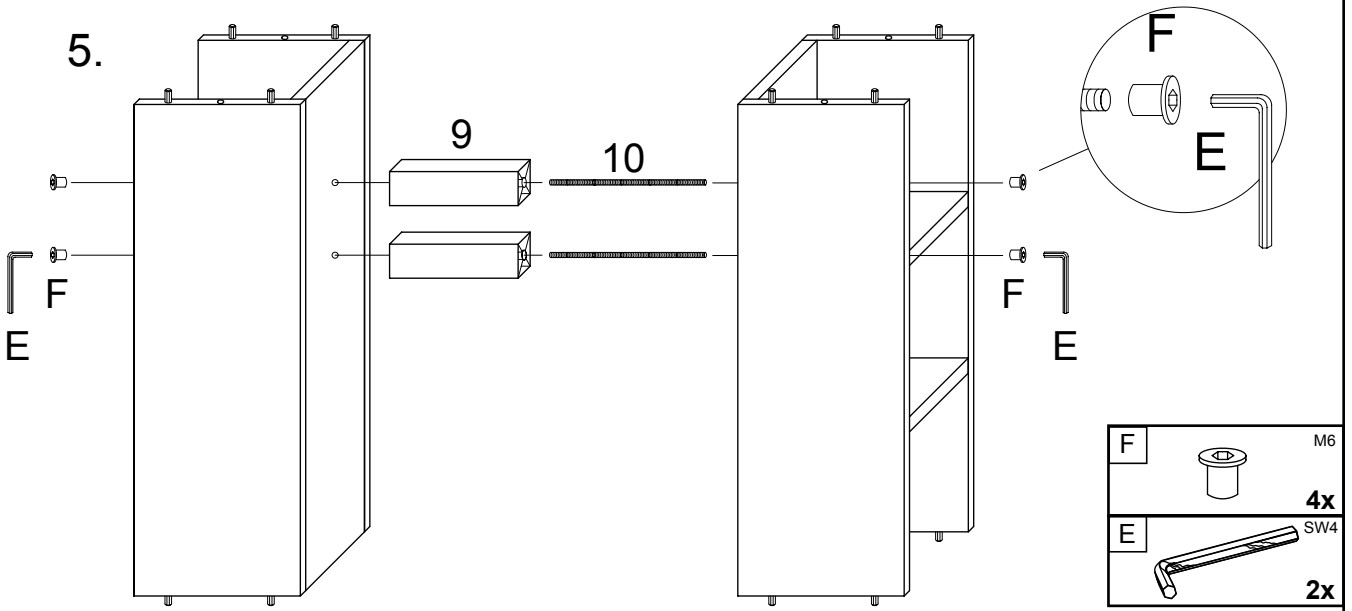


4.



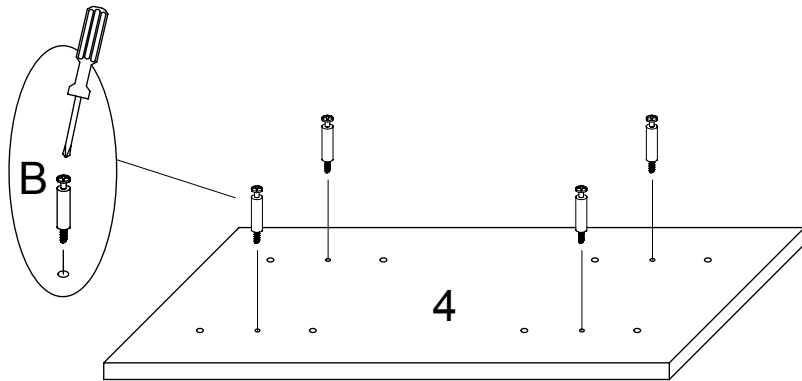
II.

5.



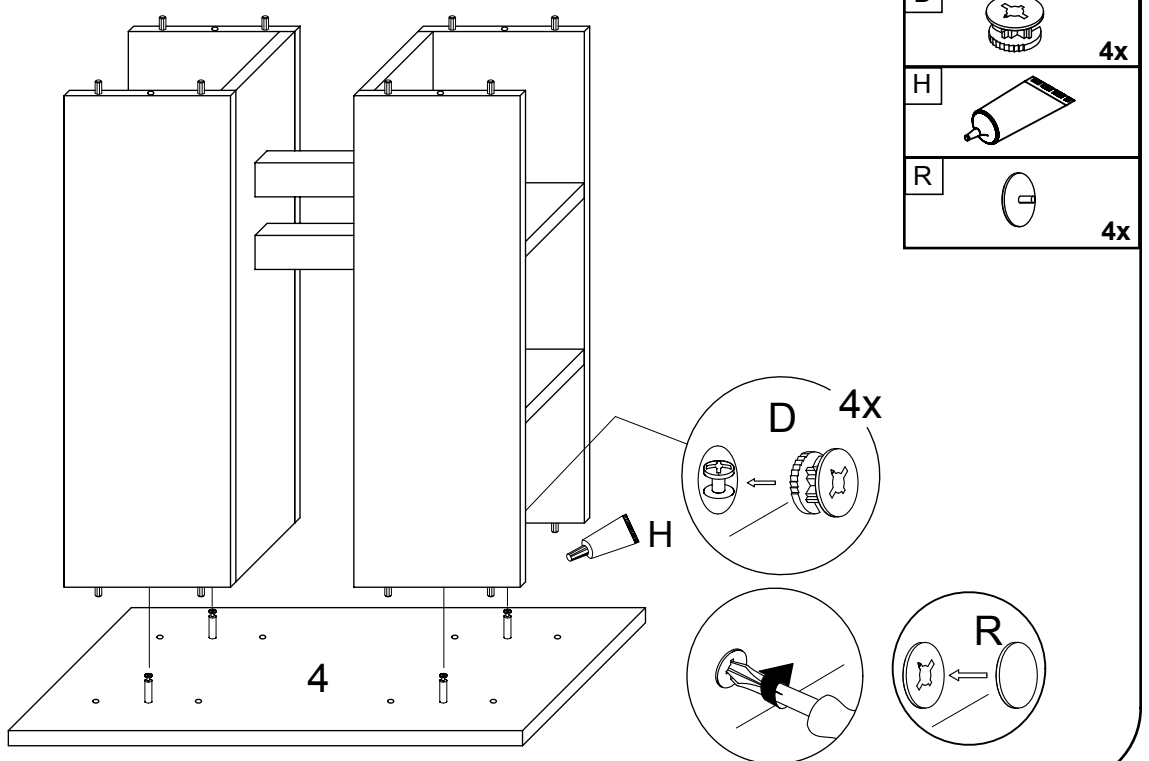
F		M6
		4x
E		SW4
		2x

6.



B		
		4x

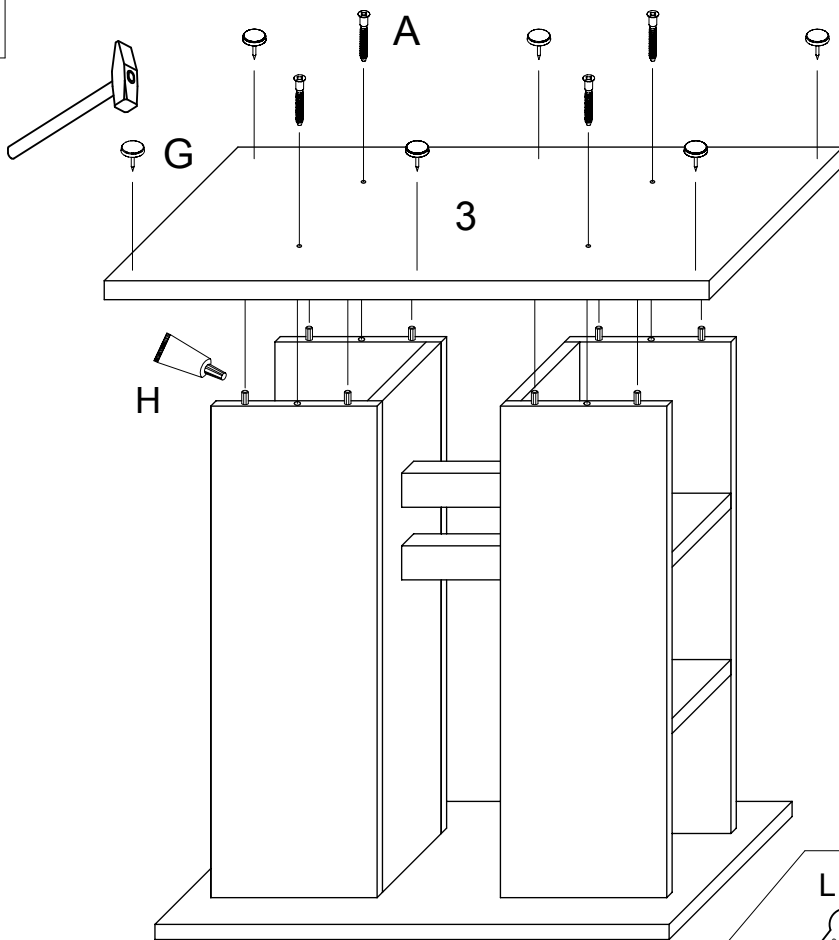
7.



D		4x
H		
R		4x

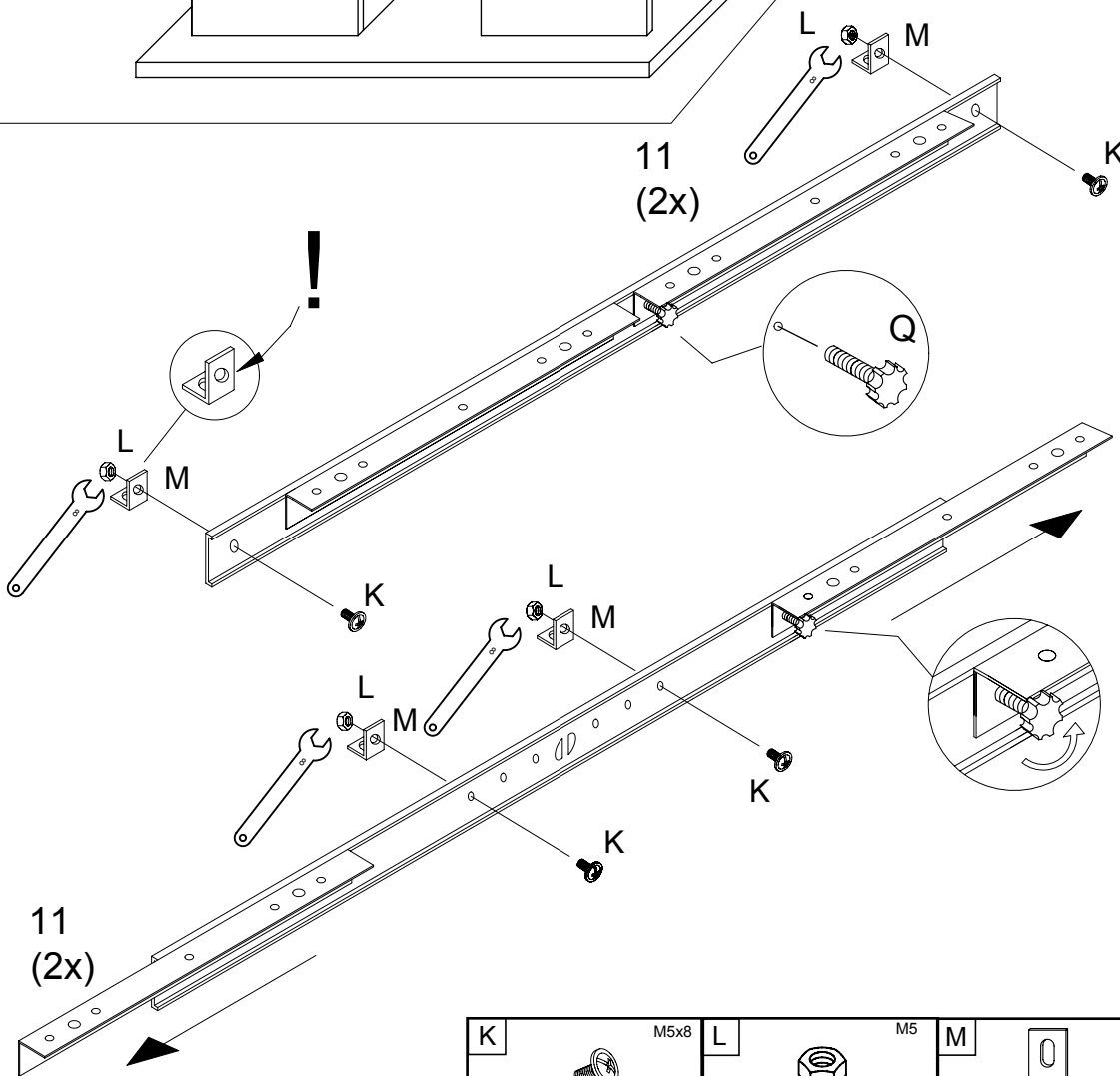
III.

8.



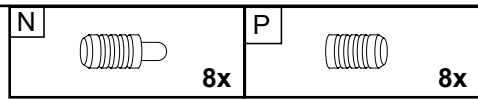
A		7x60	4x
G		D=15mm	6x
H			

9.

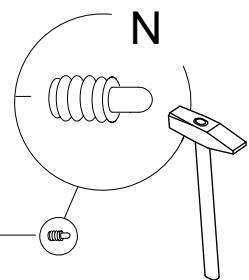
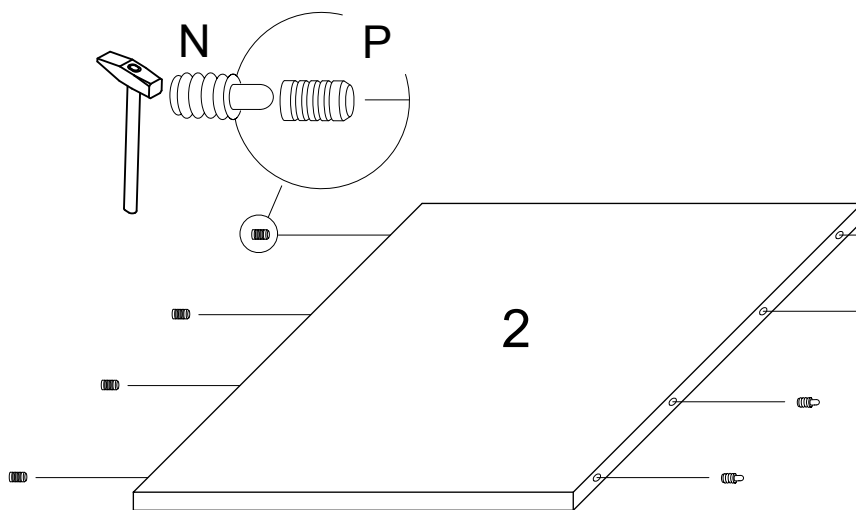
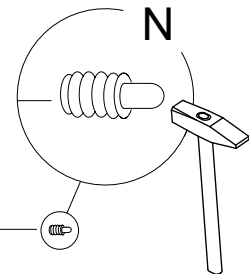
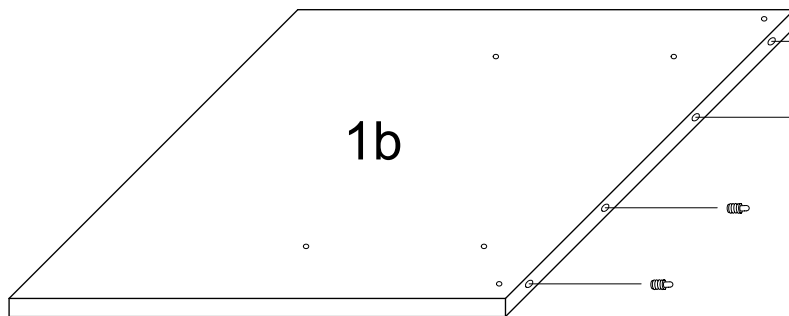
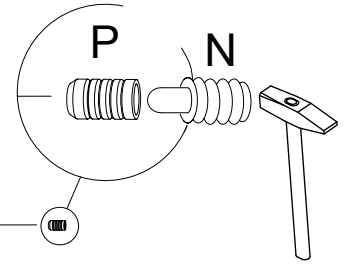
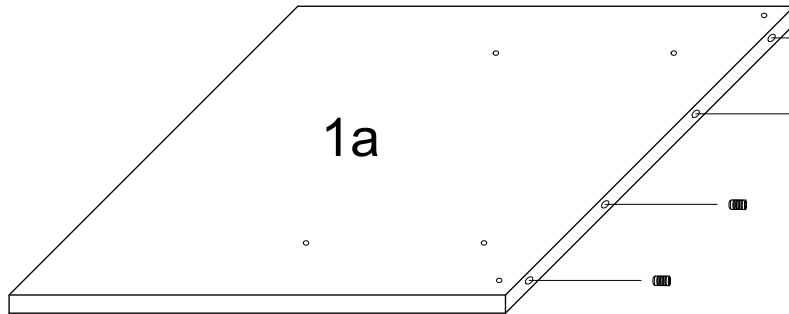


K		M5x8	L		M5	M		8x
		8x			8x			

IV.

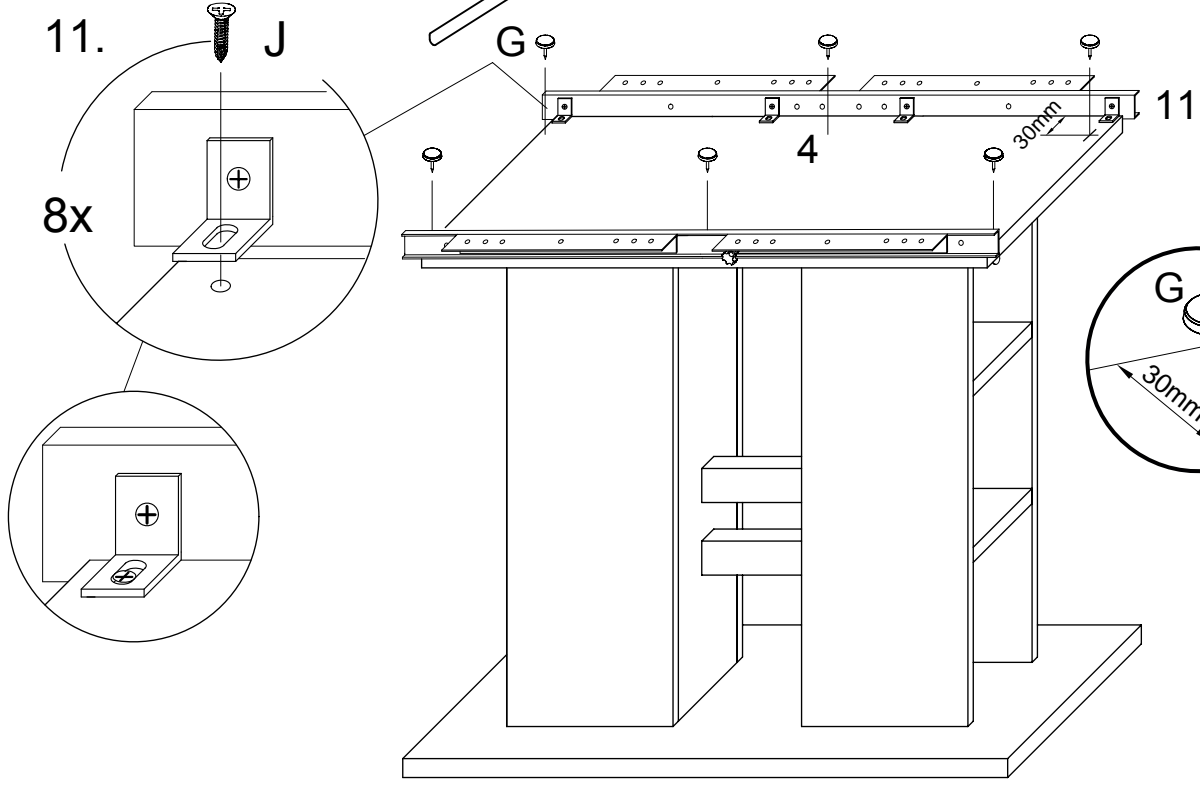


10.



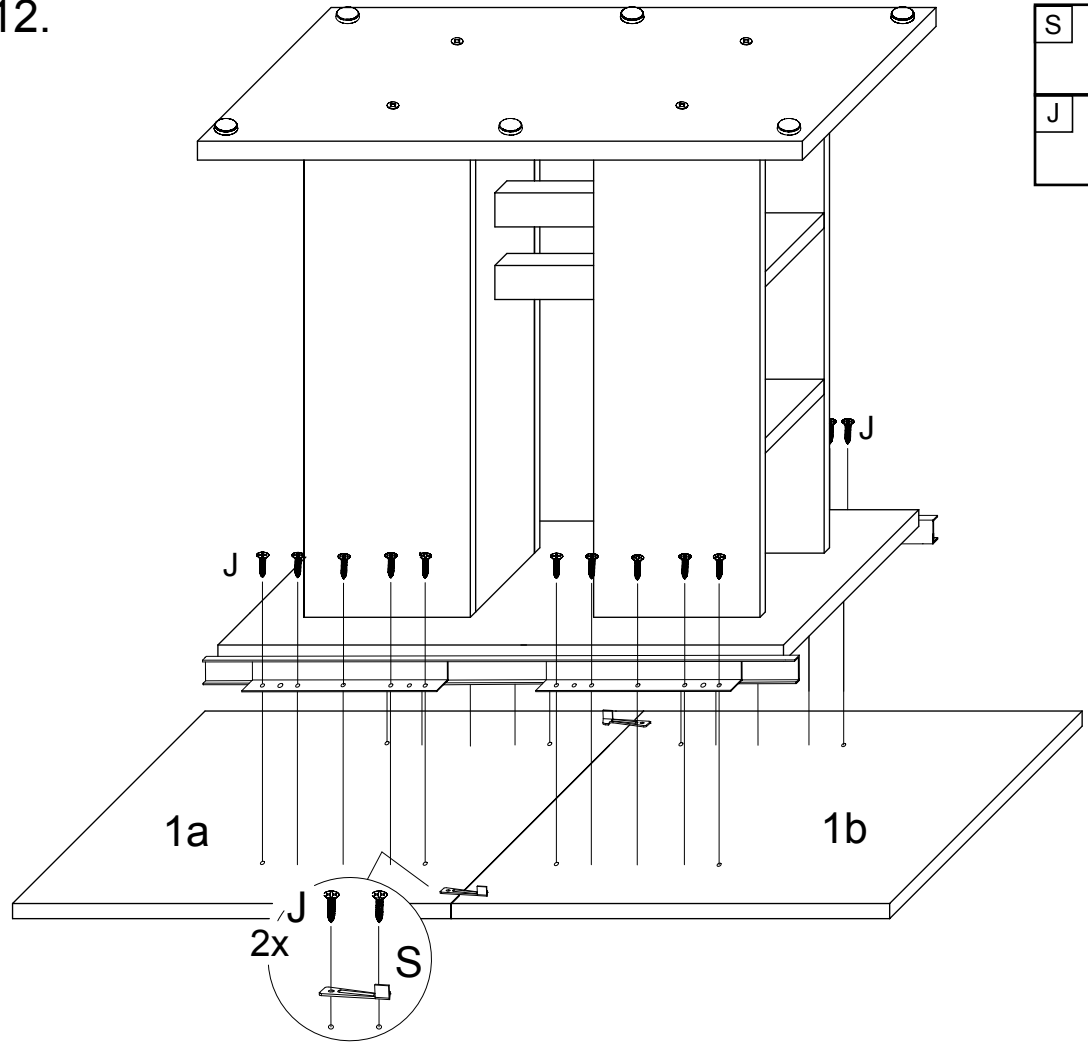
V.

J	4x15	G	D=15mm
	8x		6x



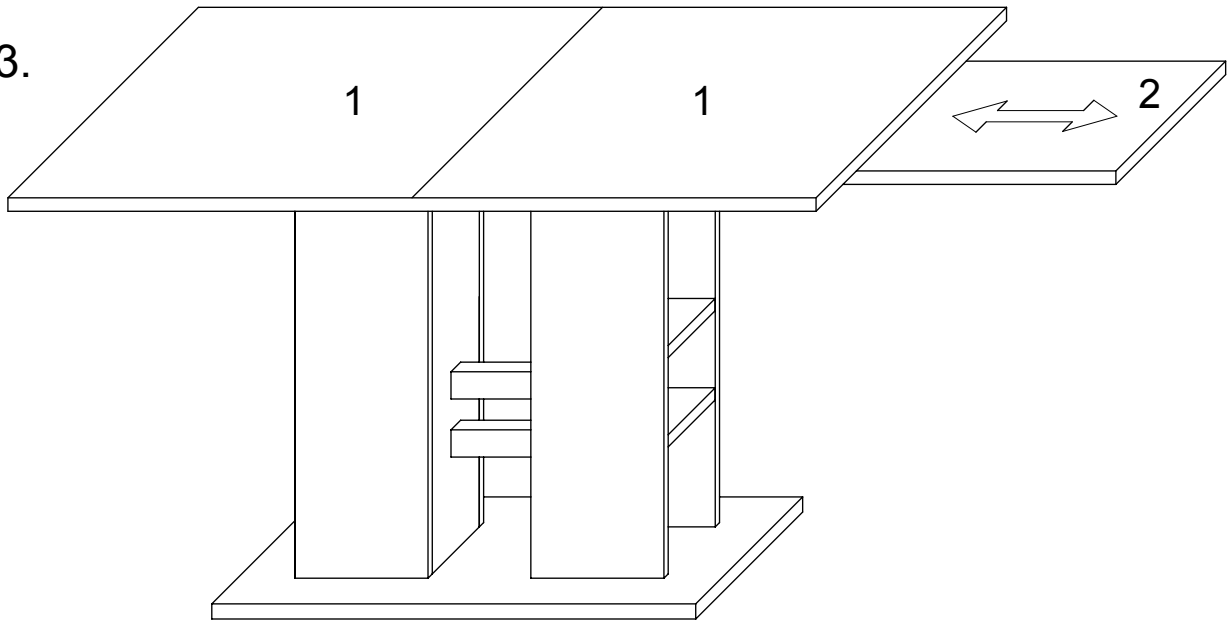
12.

S		2x
J	4x15	24x



VI.

13.



14.

