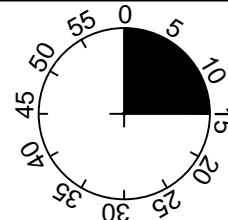
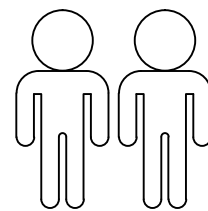
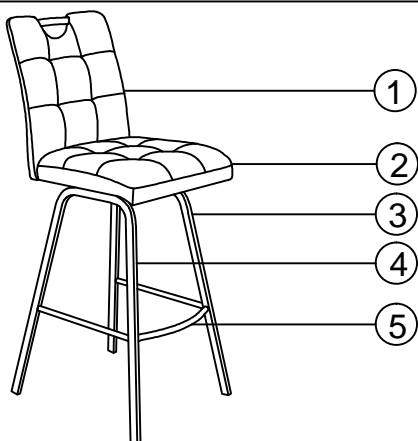
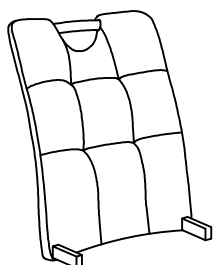


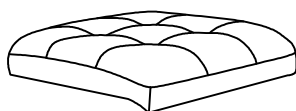
Elena



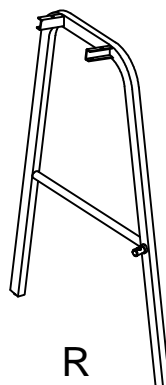
1



2

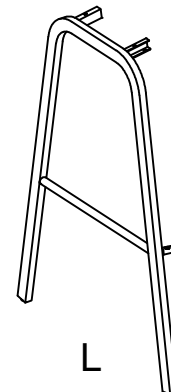


3



R

4

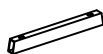


L

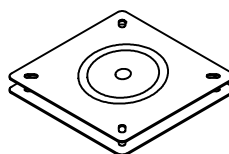
5



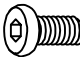
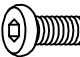
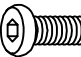



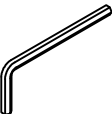
6



7

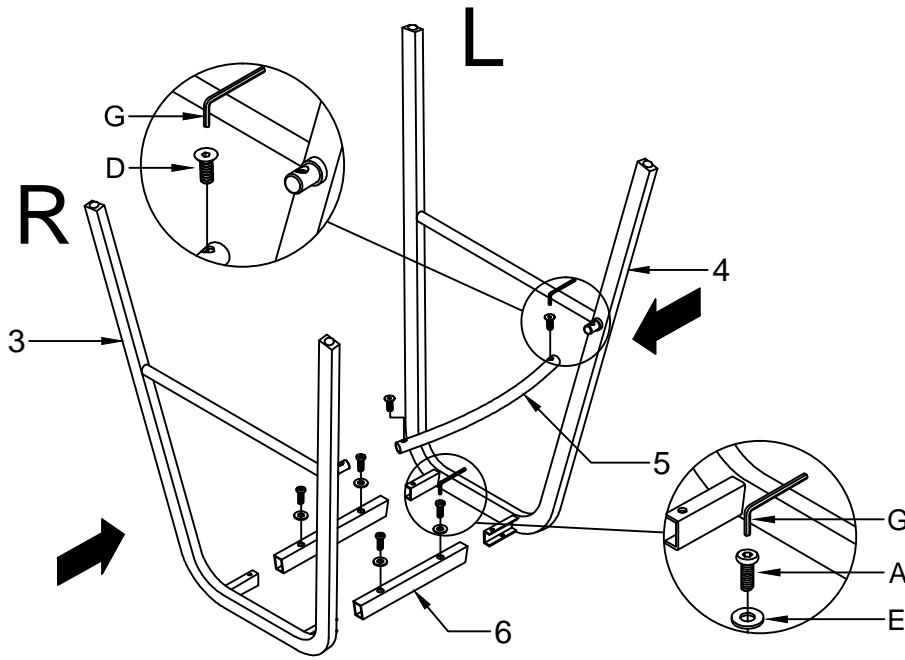


1	1x
2	1x
3	1x
4	1x
5	1x
6	2x
7	1x

A	M6X13	B	M6X20	C	M6X30	D	M6X12	E	Ø14xØ6x1.5	F	Ø18xØ8x10
											
8x		2x		2x		6x		12x		2x	
G	4MM										
											
1x											

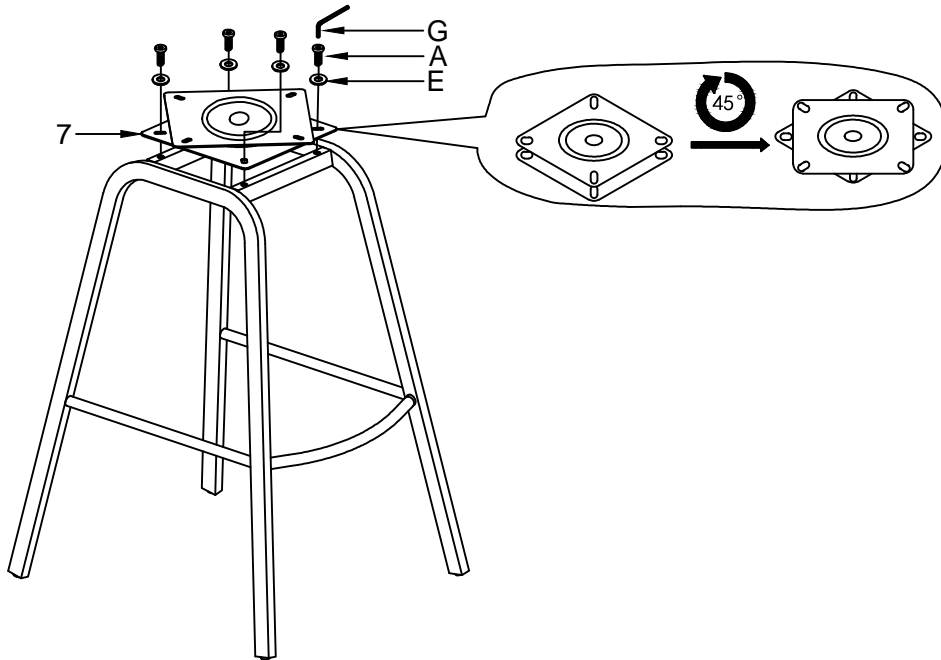
I.

1



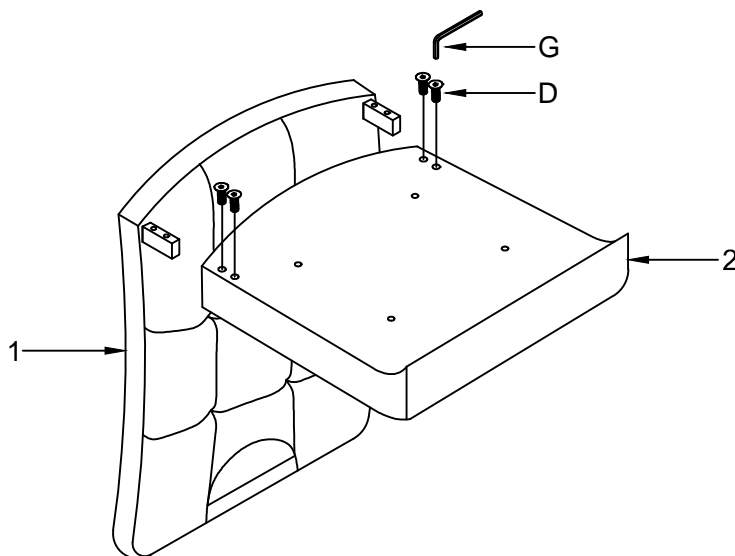
A	M6x13		4x
D	M6x12		2x
E	Ø14xØ6x1.5		4x
G	4MM		1x

2



A	M6x13		4x
E	Ø14xØ6x1.5		4x
G	4MM		1x

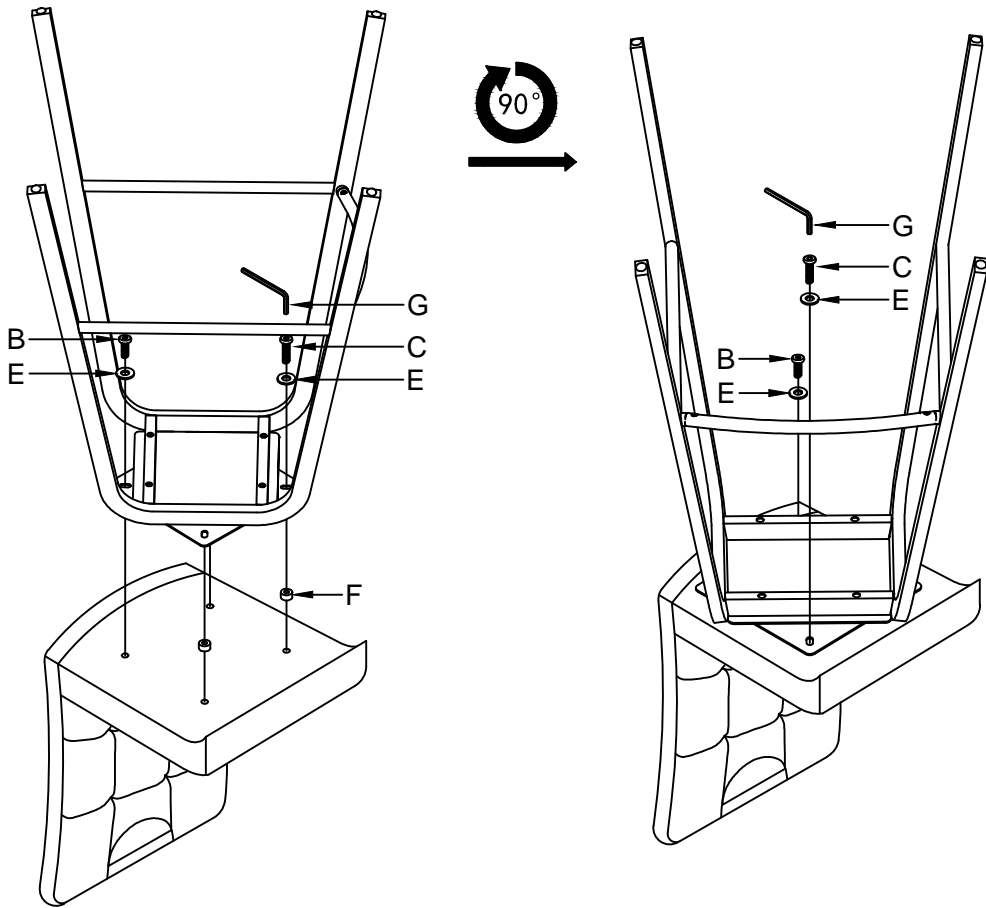
3

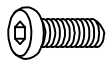
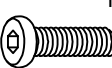






D	M6x12		4x
G	4MM		1x

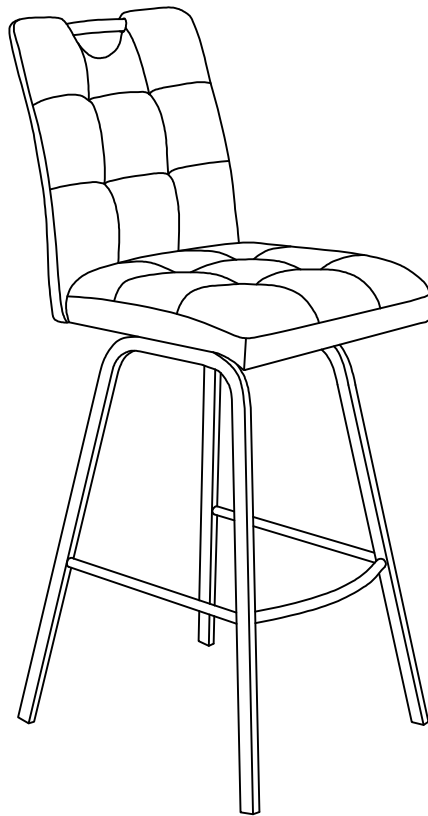
II.


4



- B**  M6x20
2x
 - C**  M6x30
2x
 - E**  Ø14xØ6x1.5
4x
 - F**  Ø18xØ8x10
2x
 - G**  4MM
1x
- 

5



- G**  4MM
1x
- 