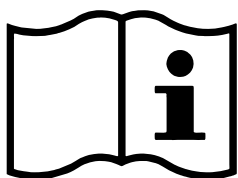
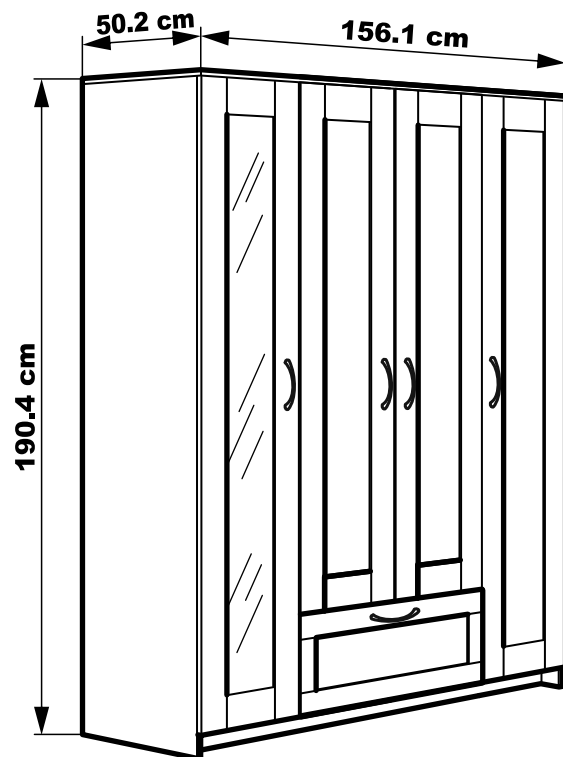
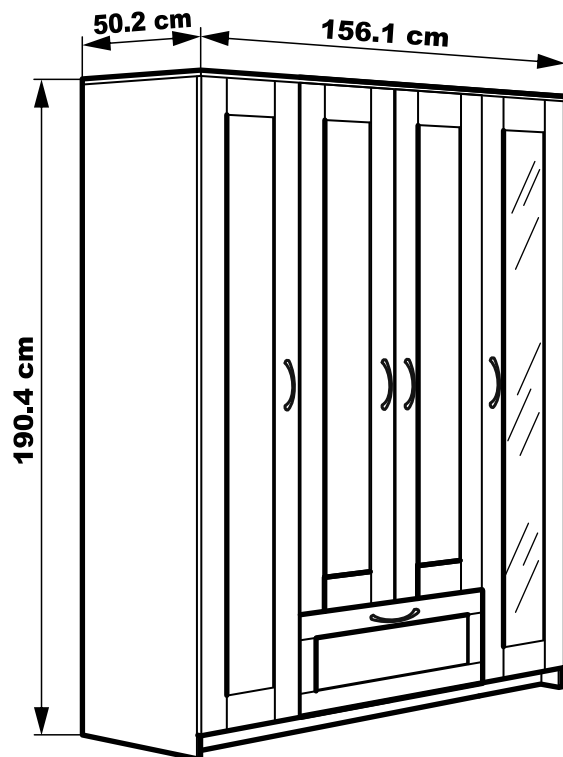
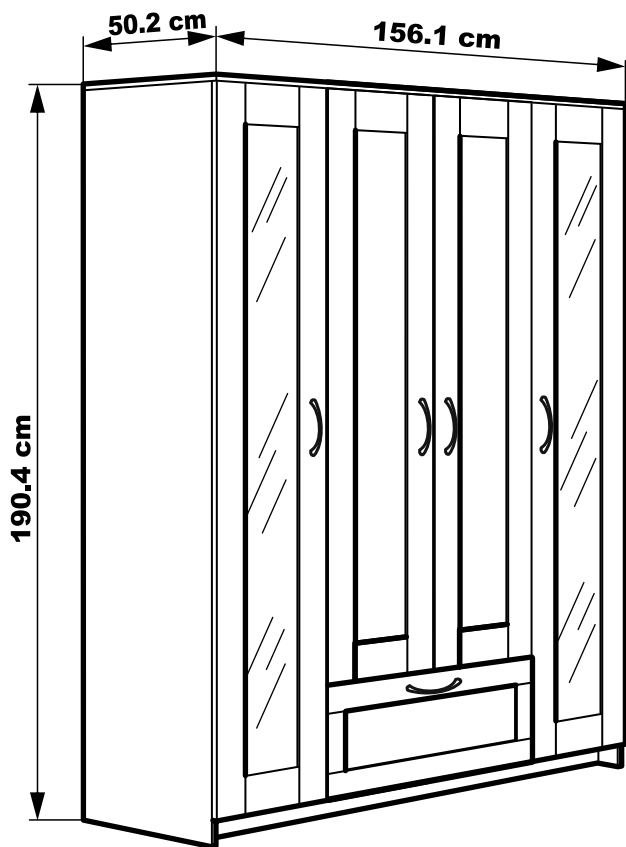
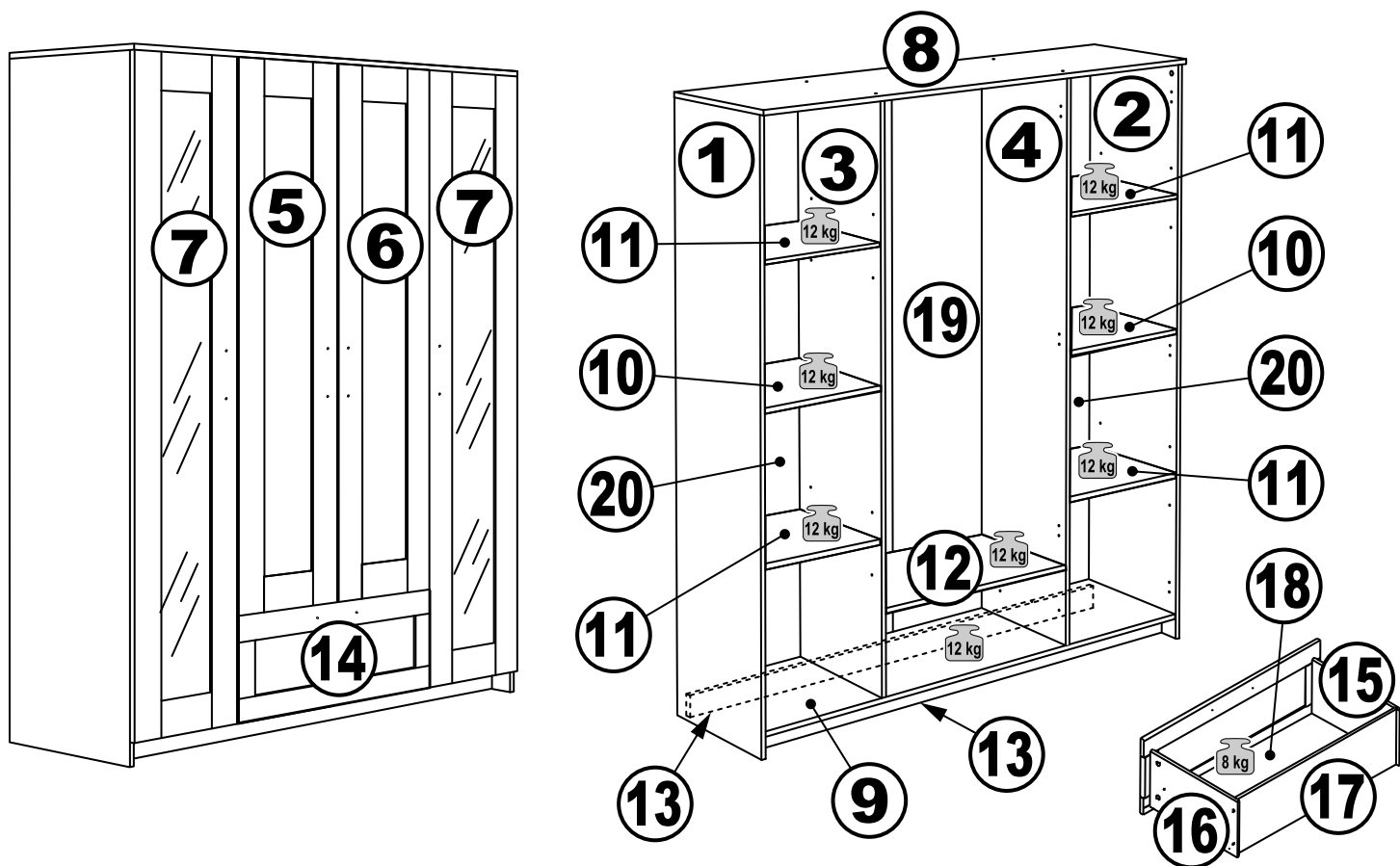
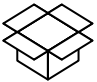



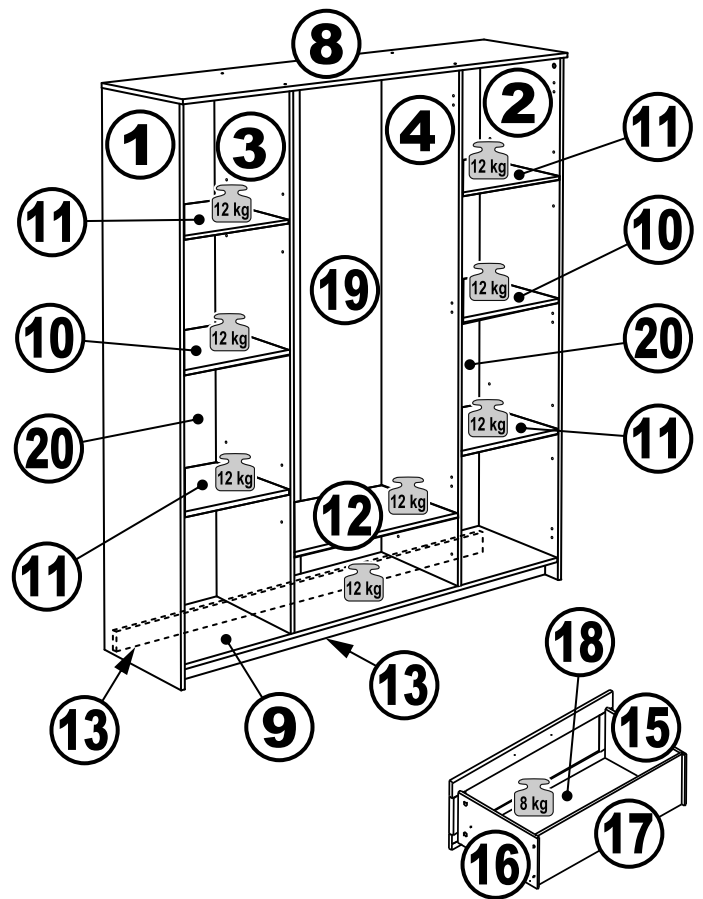
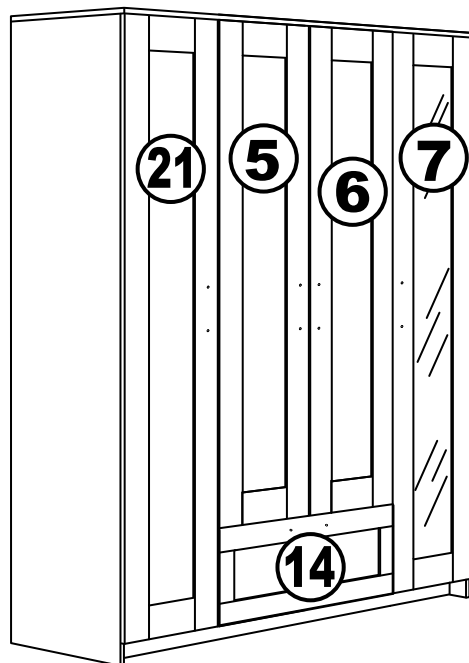
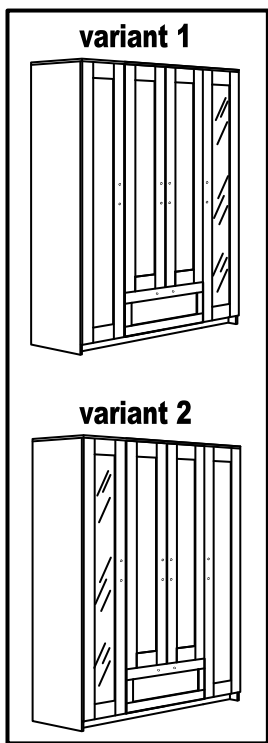
SALIAS


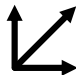


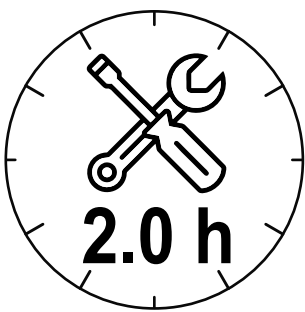
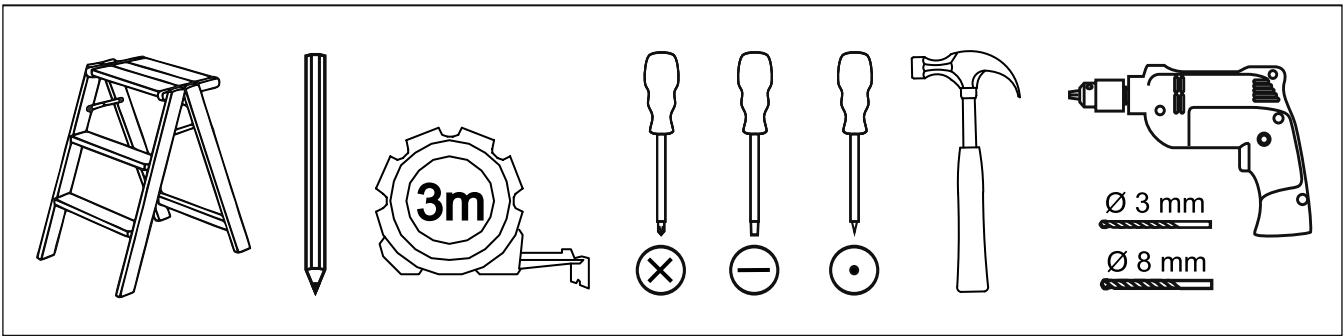
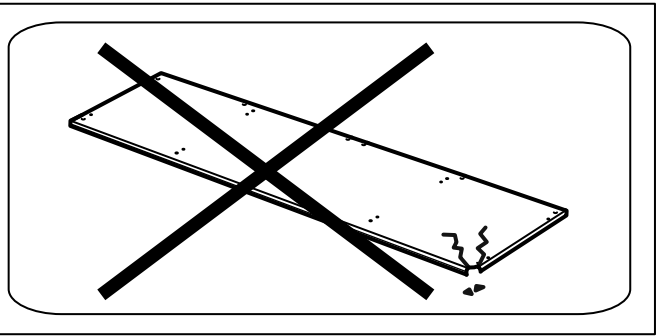
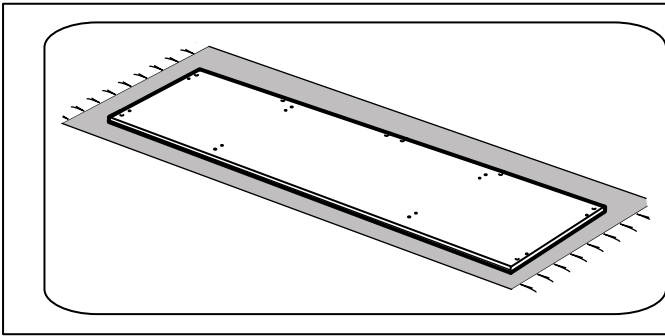
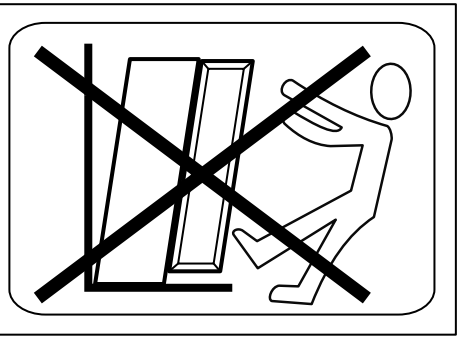
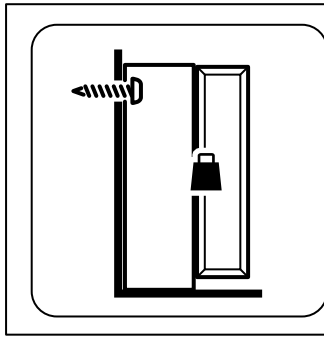
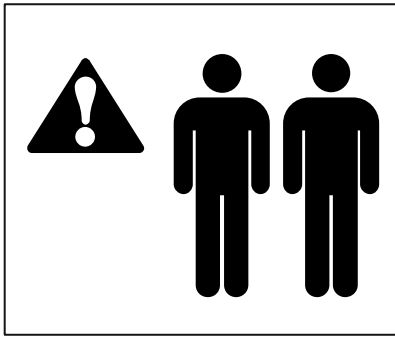
Art. № 58-949-17

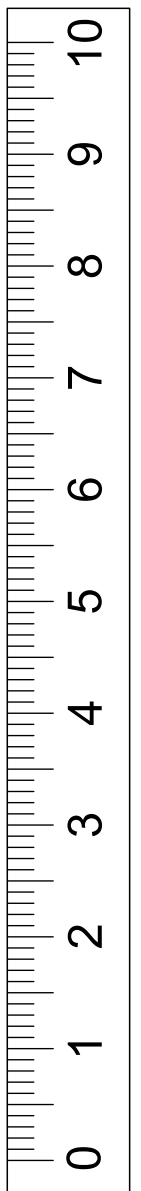
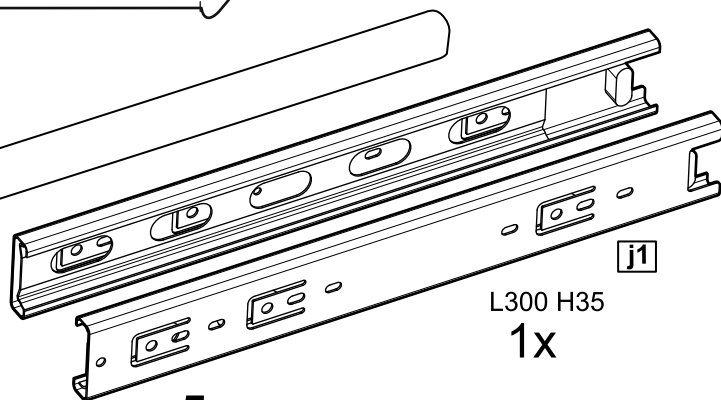
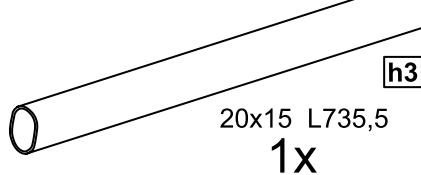
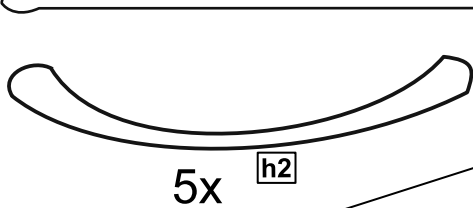
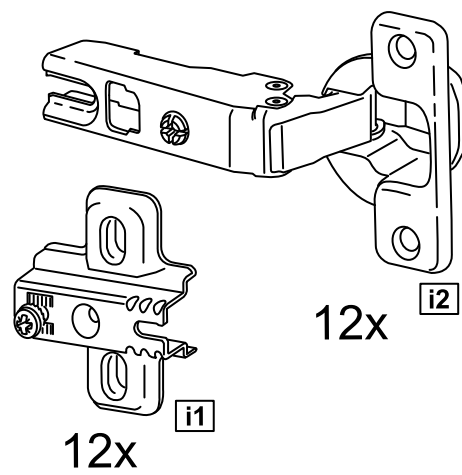
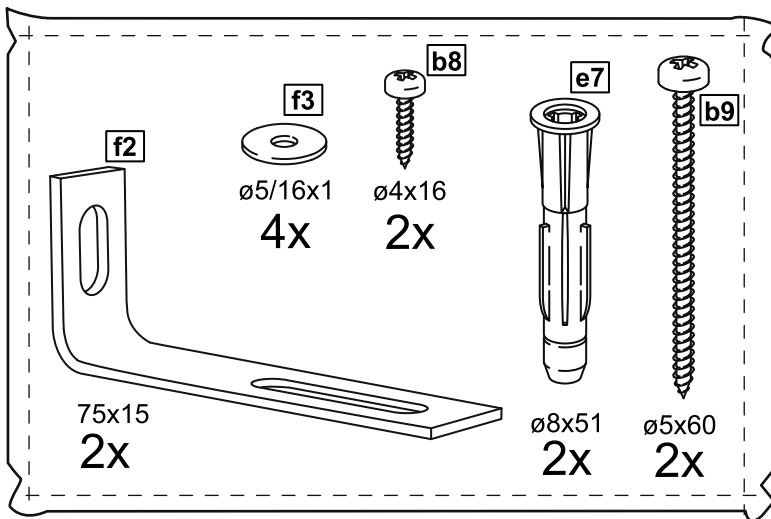
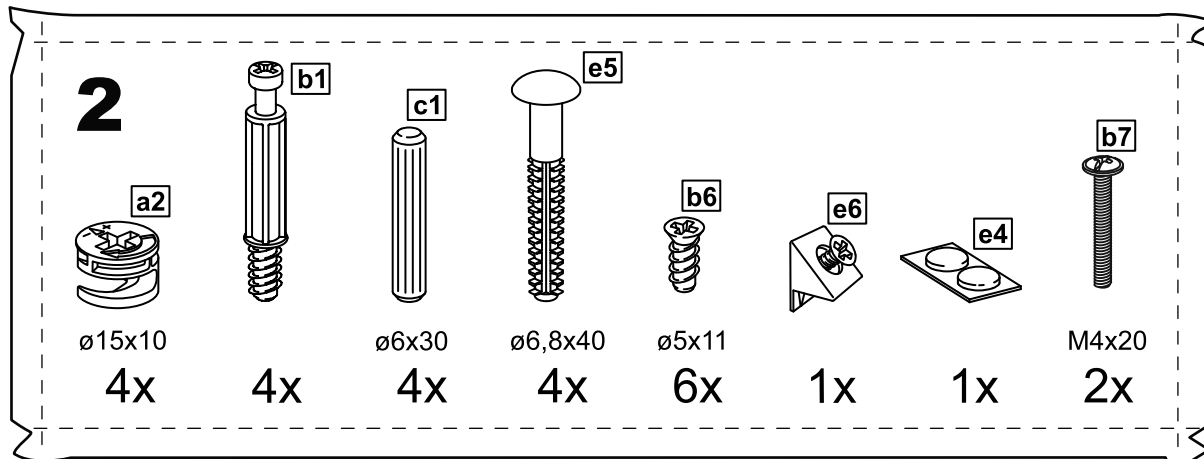
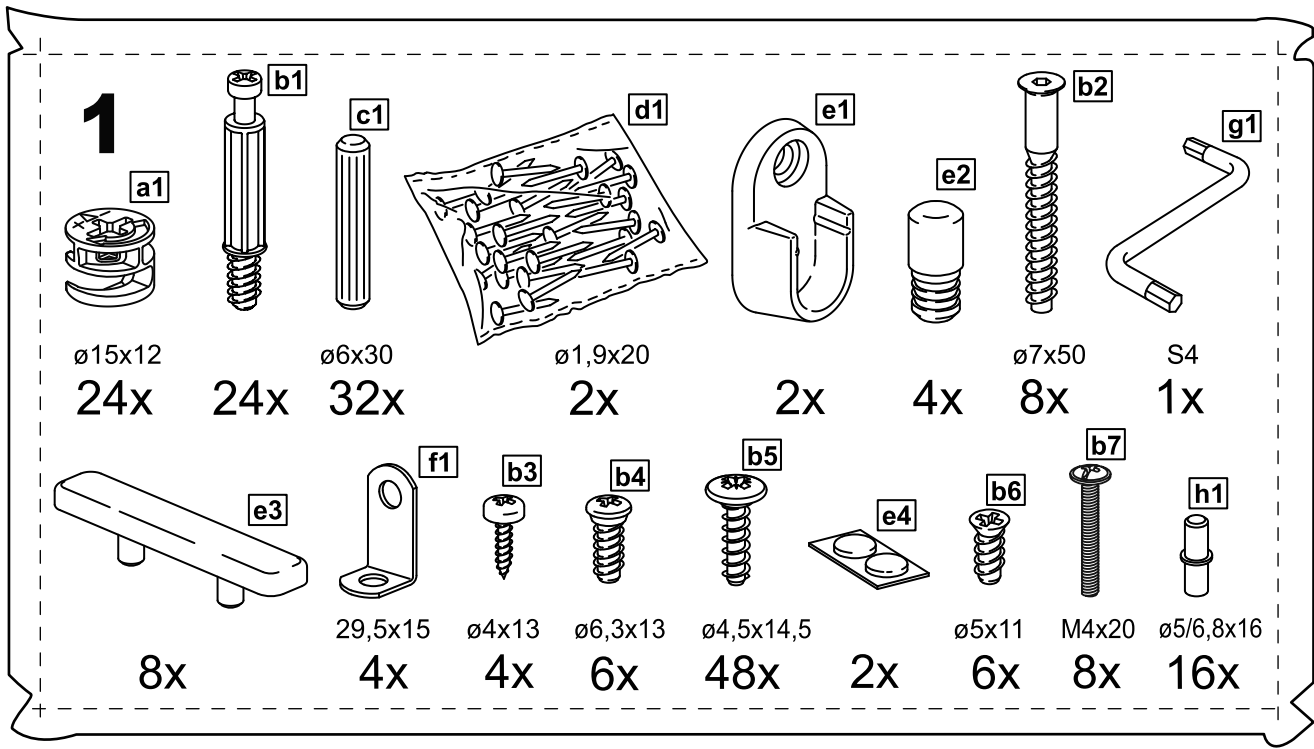


№	PCS		
1	1	4	1884×482×16
2	1	3	1884×482×16
3	1	2	1810,5×477,5×16
4	1	2	1810,5×477,5×16
5	1	4	1525×387×16
6	1	3	1525×387×16
7	2	3, 4	1816×387×16
8	1	1	1560×502×16
9	1	2	1526×476,5×16
10	2	3, 4	373×476,5×16
11	4	1	372×476,5×16
12	1	1	748×476,5×16
13	2	3	1526×57×16
14	1	1	777×285×16
15	1	2	385×206×12
16	1	2	385×206×12
17	1	1	705×206×12
18	1	1	710×374×3
19	1	3	1835×768×2,5
20	2	4	1835×390×2,5

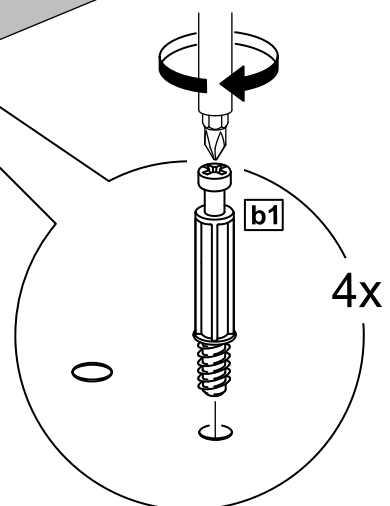
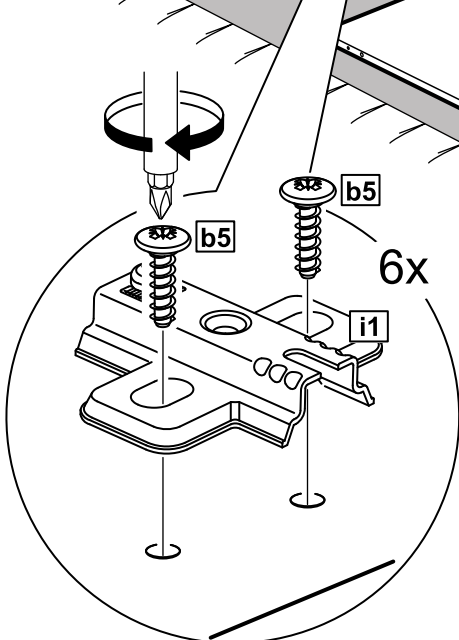
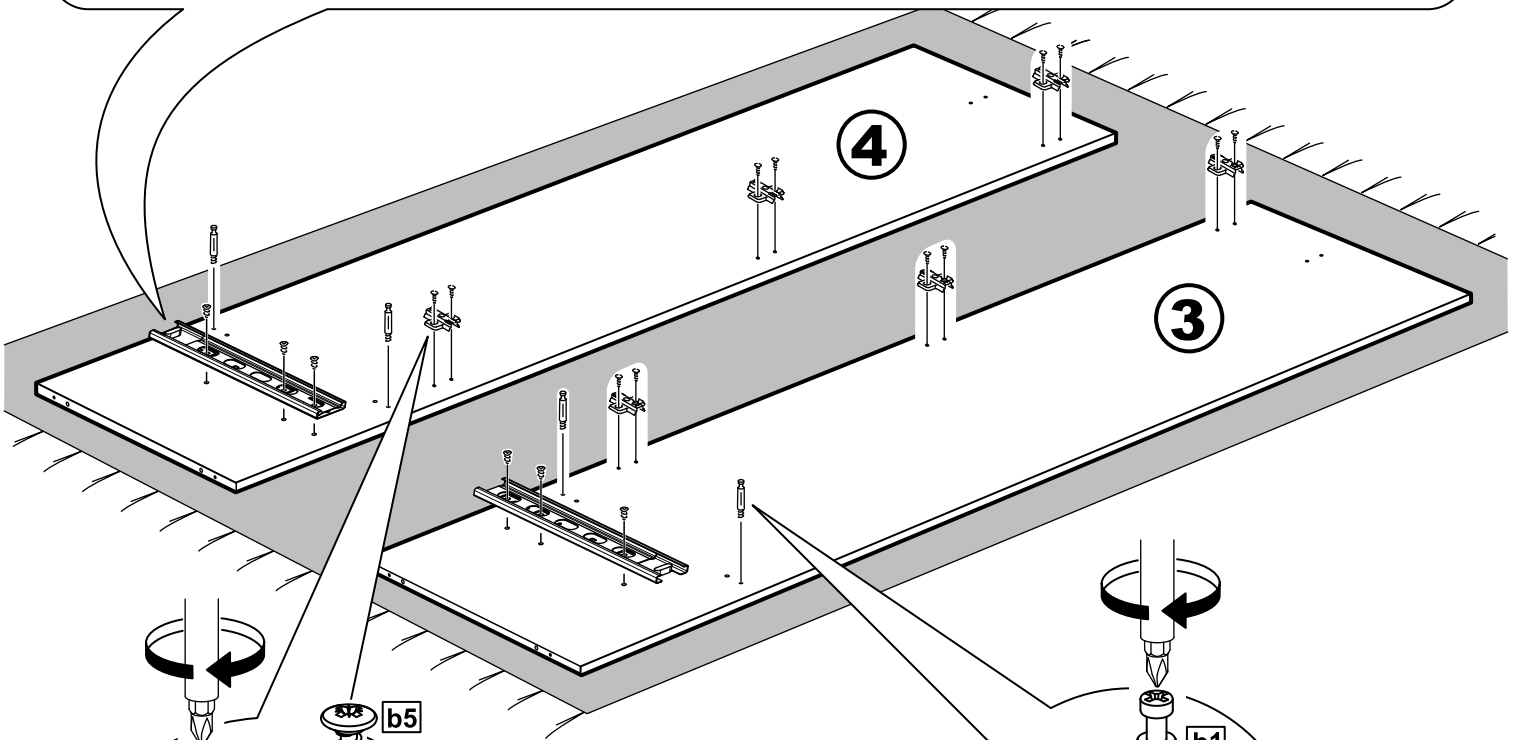
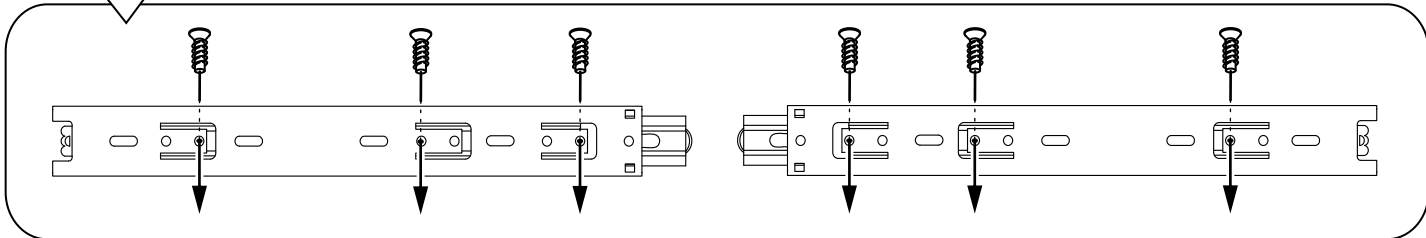
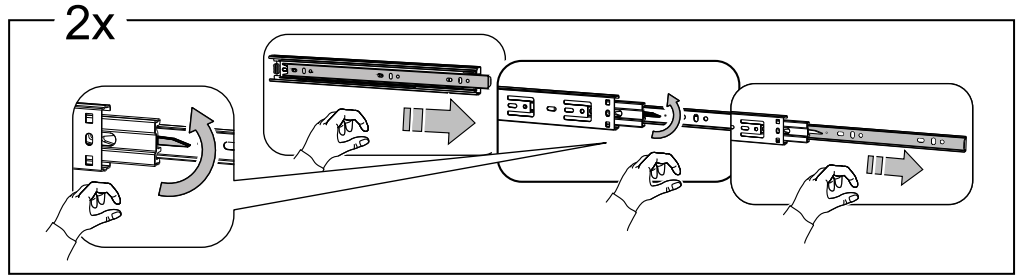
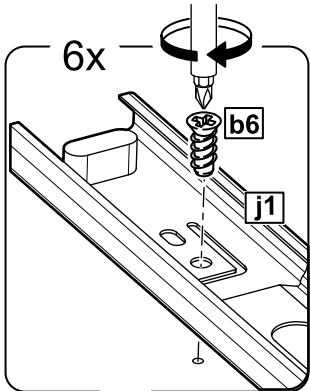
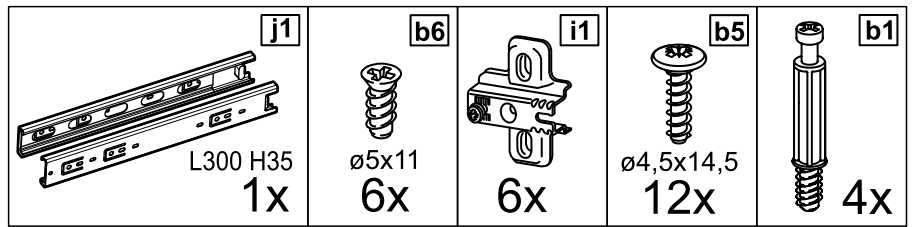
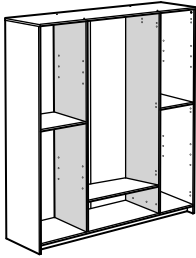


№	PCS		
1	1	4	1884×482×16
2	1	3	1884×482×16
3	1	2	1810,5×477,5×16
4	1	2	1810,5×477,5×16
5	1	4	1525×387×16
6	1	3	1525×387×16
7	1	3	1816×387×16
8	1	1	1560×502×16
9	1	2	1526×476,5×16
10	2	3, 4	373×476,5×16
11	4	1	372×476,5×16
12	1	1	748×476,5×16
13	2	3	1526×57×16
14	1	1	777×285×16
15	1	2	385×206×12
16	1	2	385×206×12
17	1	1	705×206×12
18	1	1	710×374×3
19	1	3	1835×768×2,5
20	2	4	1835×390×2,5
21	1	4	1816×387×16

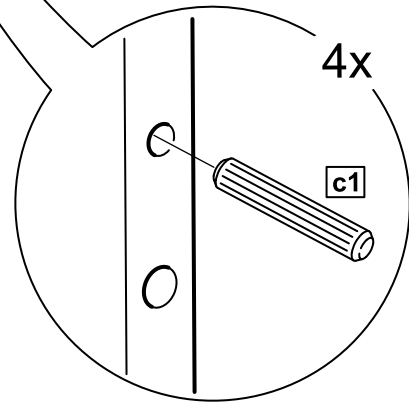
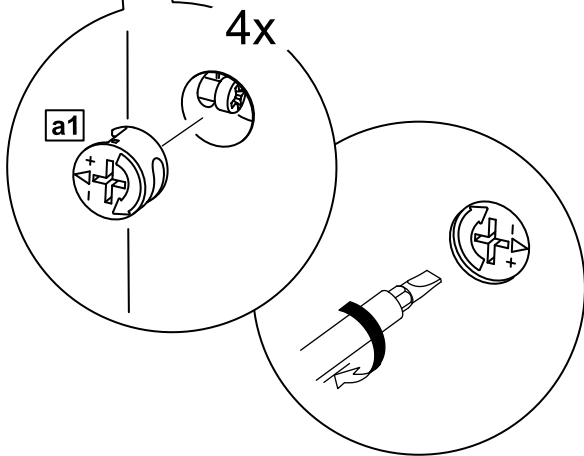
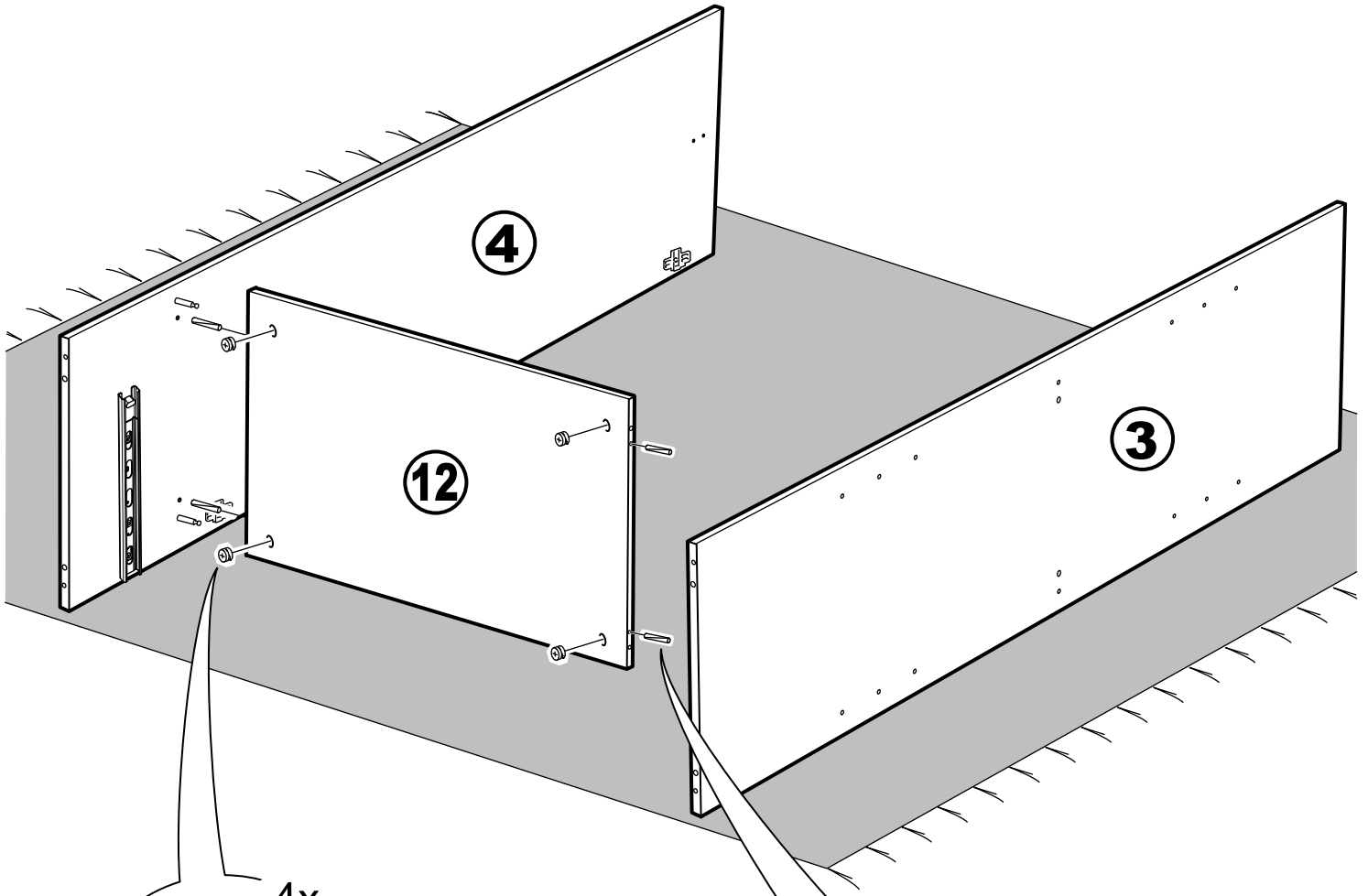
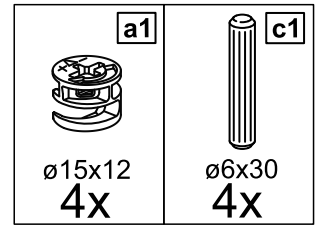
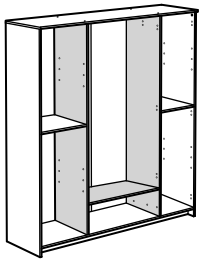




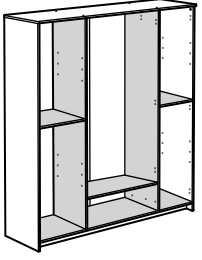
1





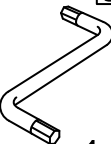


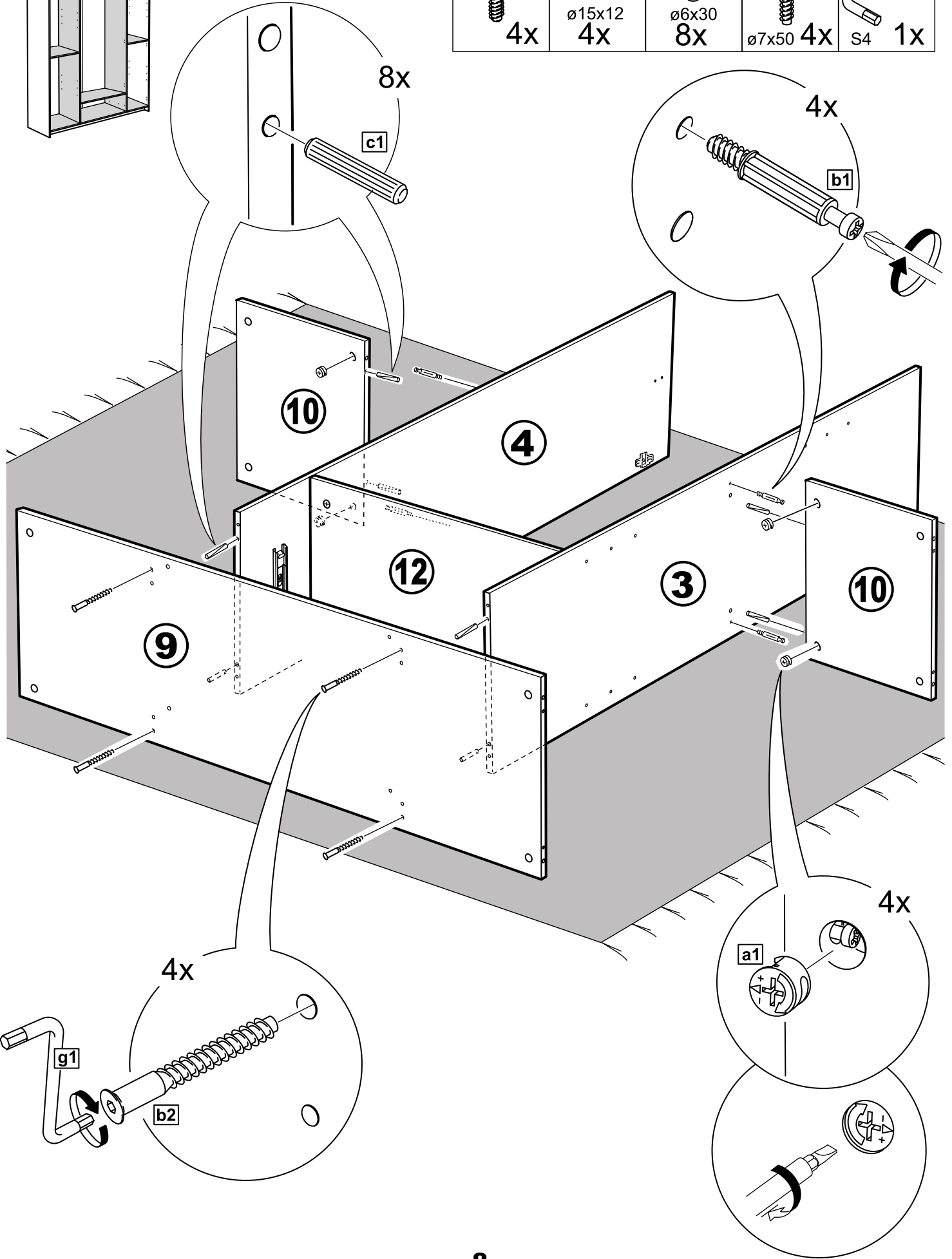
2



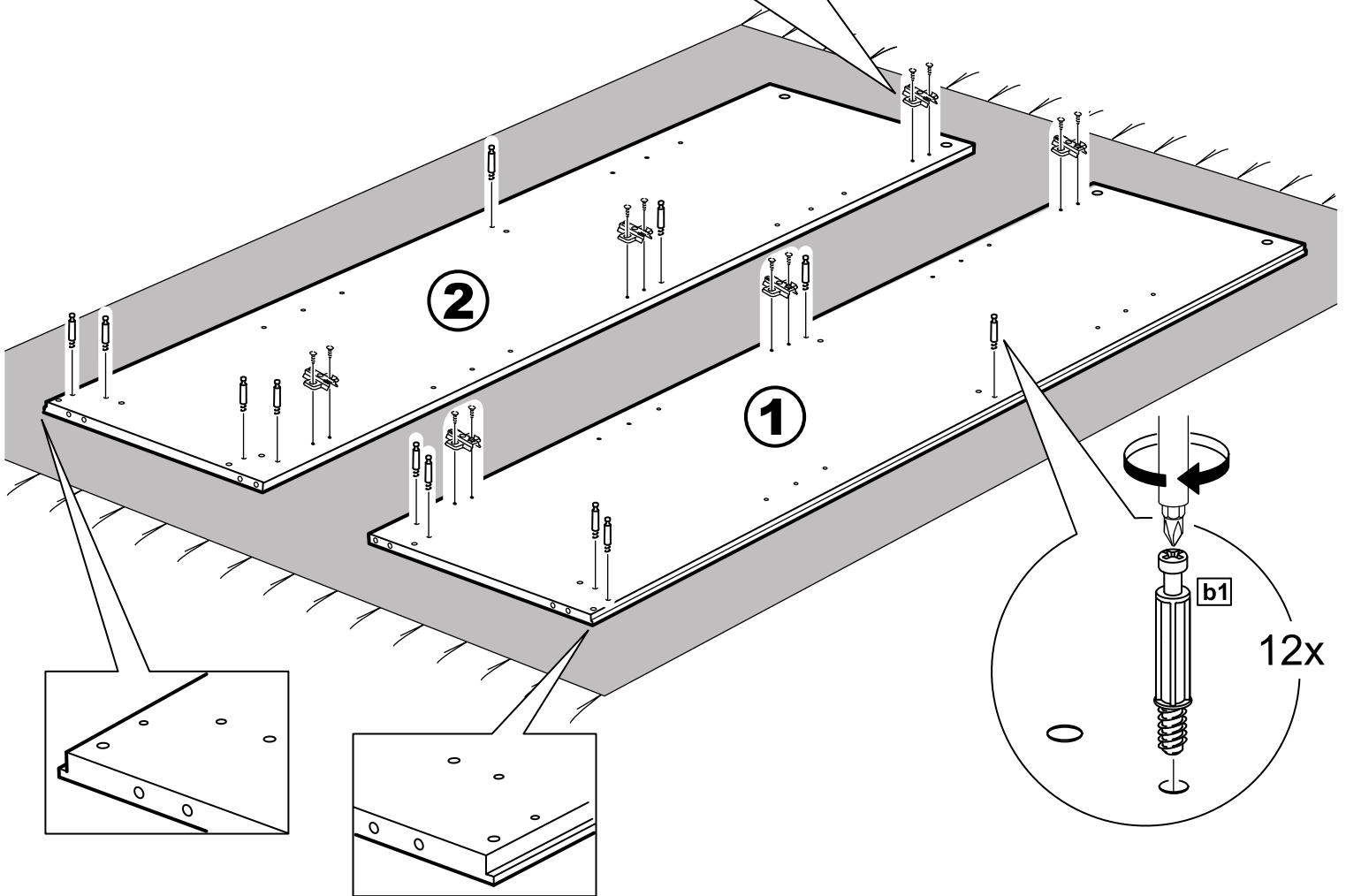
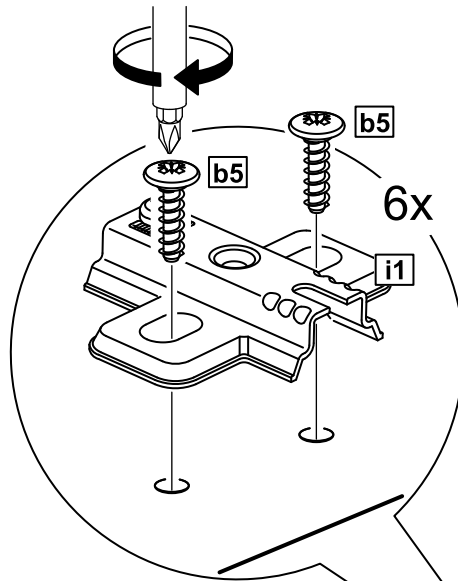
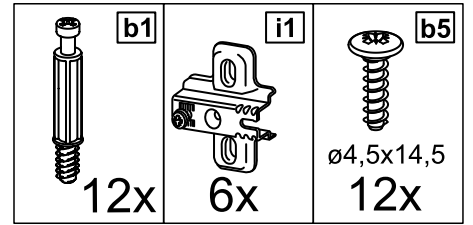
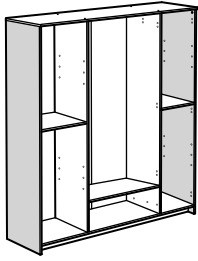
3



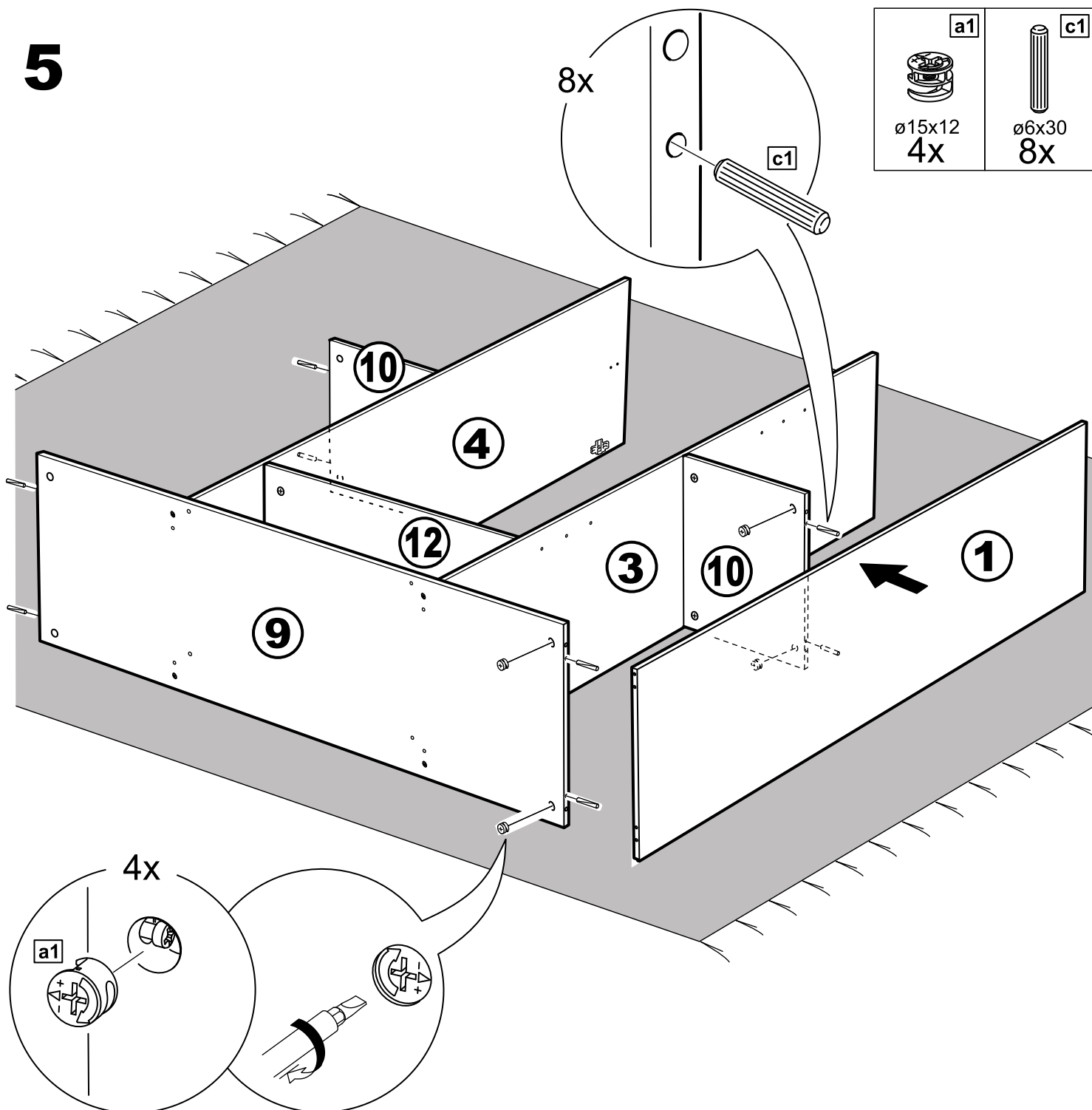
 b1 4x	 a1 ø15x12 4x	 c1 ø6x30 8x	 b2 ø7x50 4x	 g1 S4 1x
----------------------------------------------------------------------------------------------	----------------------------------------------------------------------------------------------------------	---------------------------------------------------------------------------------------------------------	---------------------------------------------------------------------------------------------------------	-------------------------------------------------------------------------------------------------------



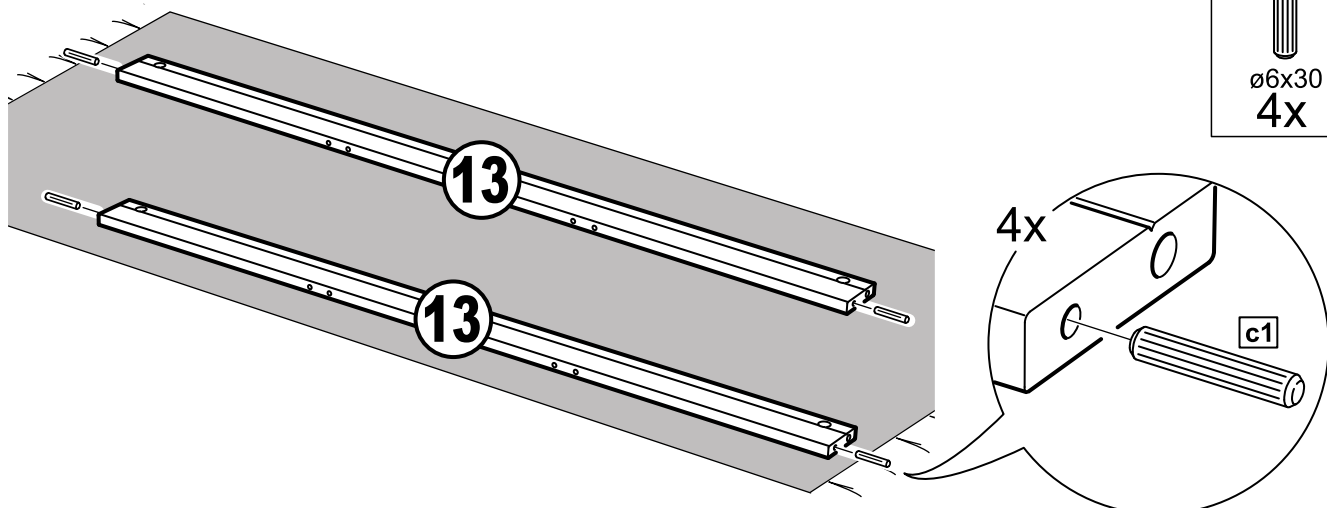
4



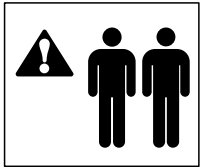
5



6

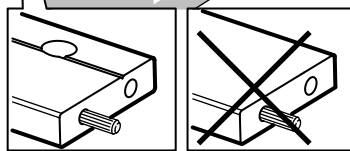
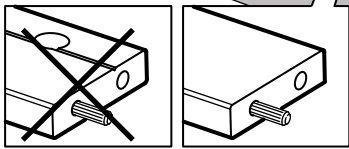
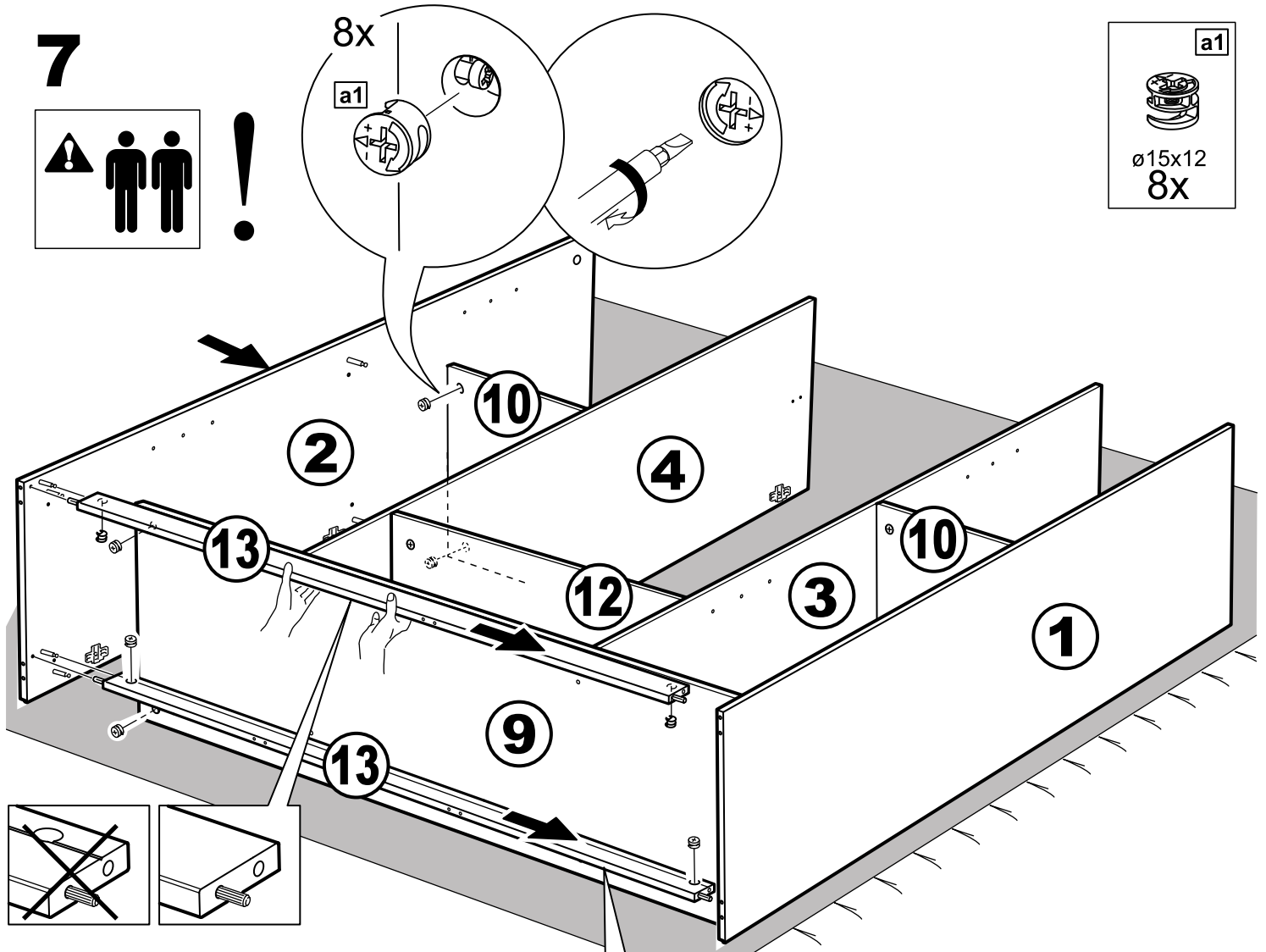
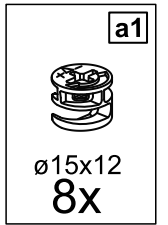
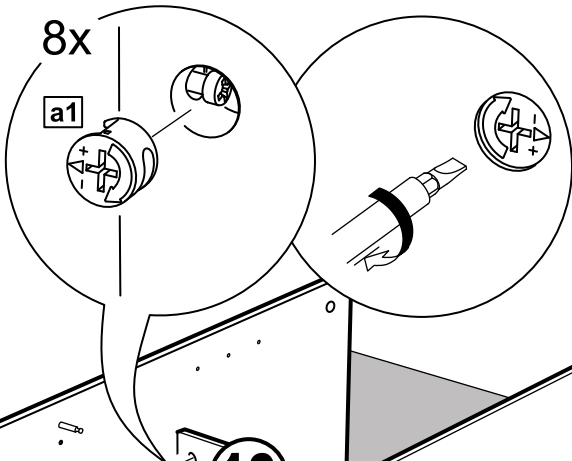


7

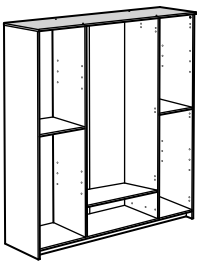


8x

a1

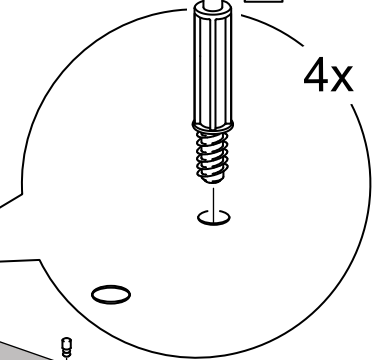


8



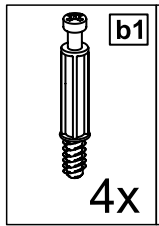
b1

4x



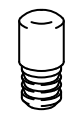
b1

4x



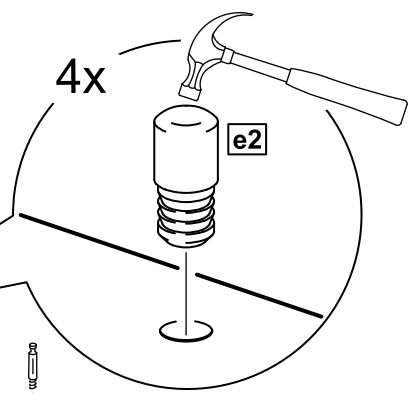
e2

4x

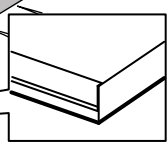
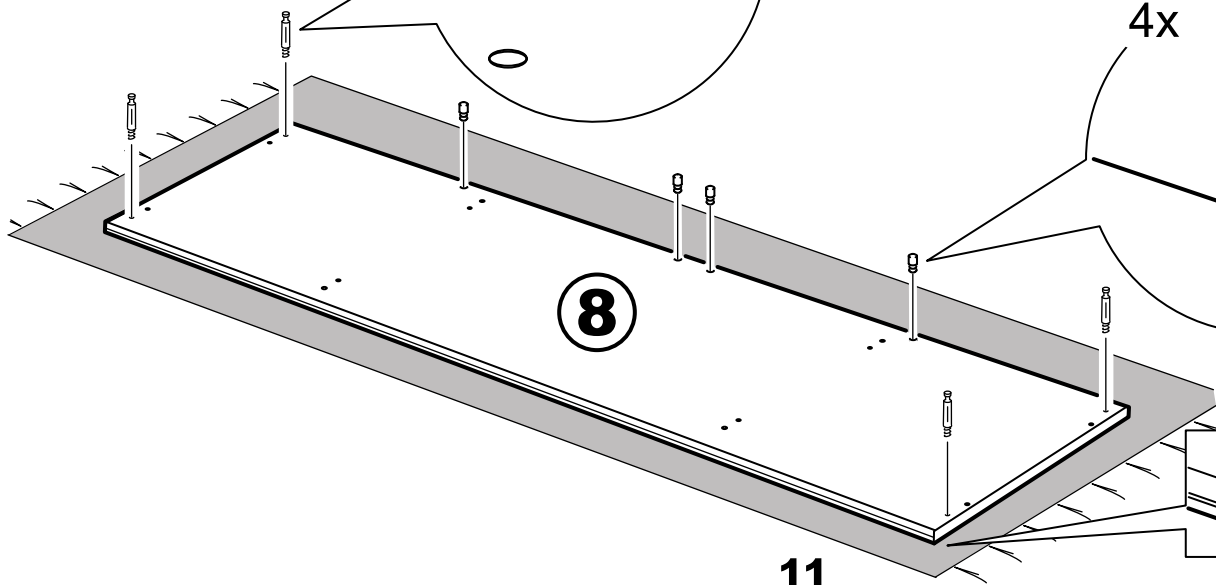


4x

e2

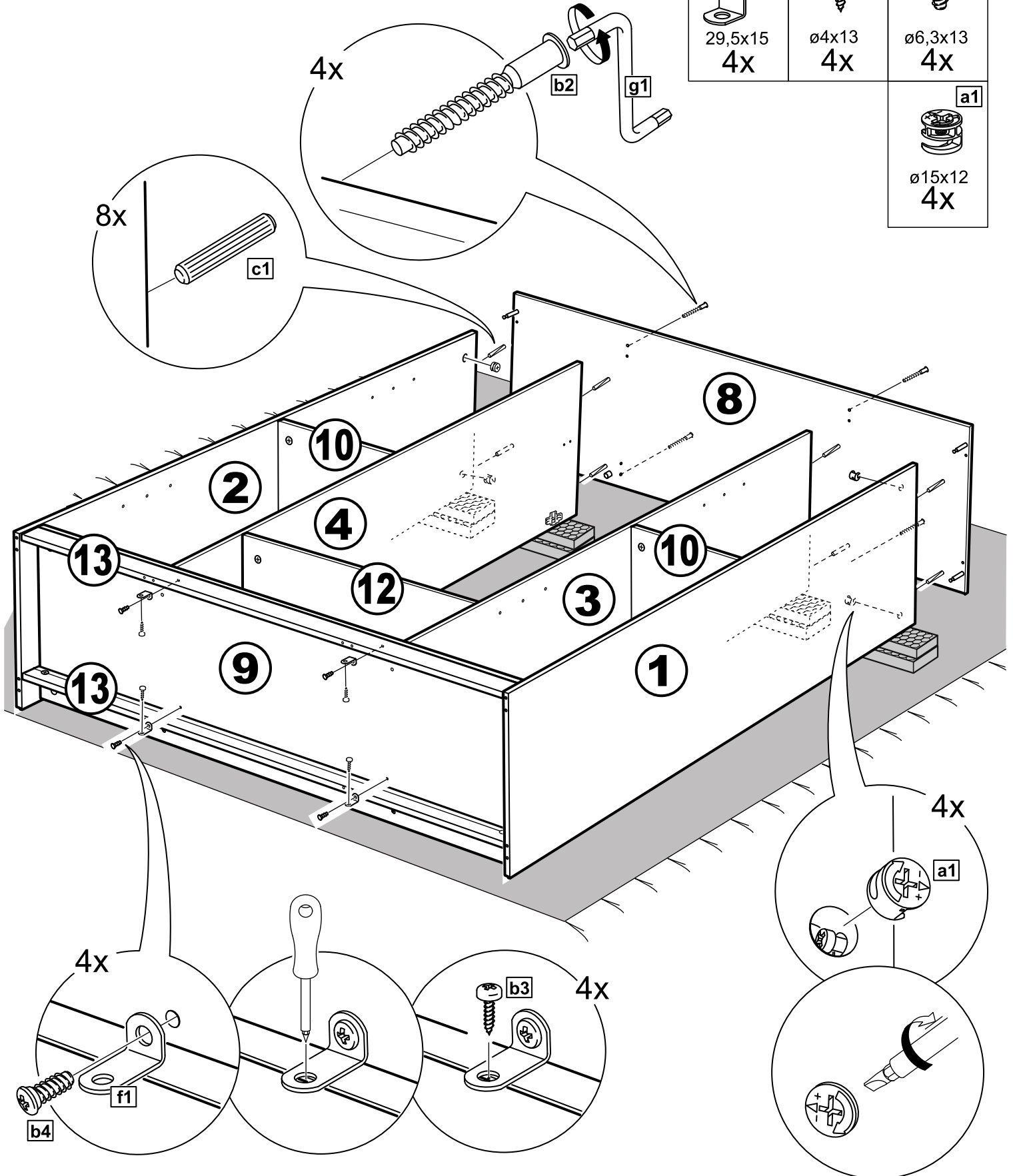
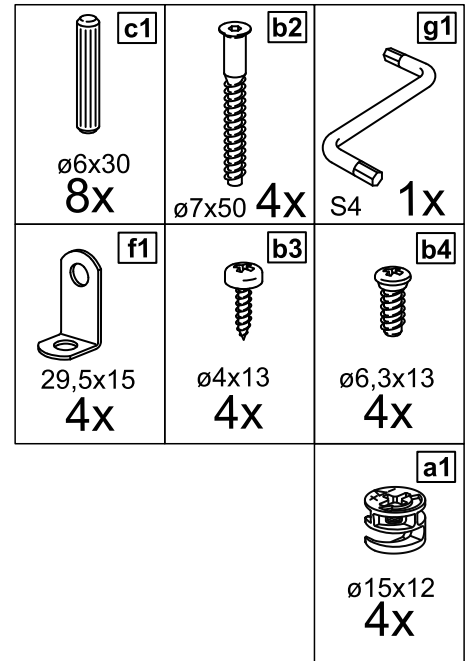
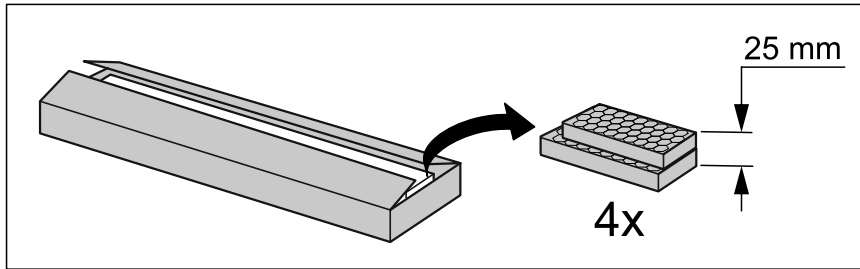


8

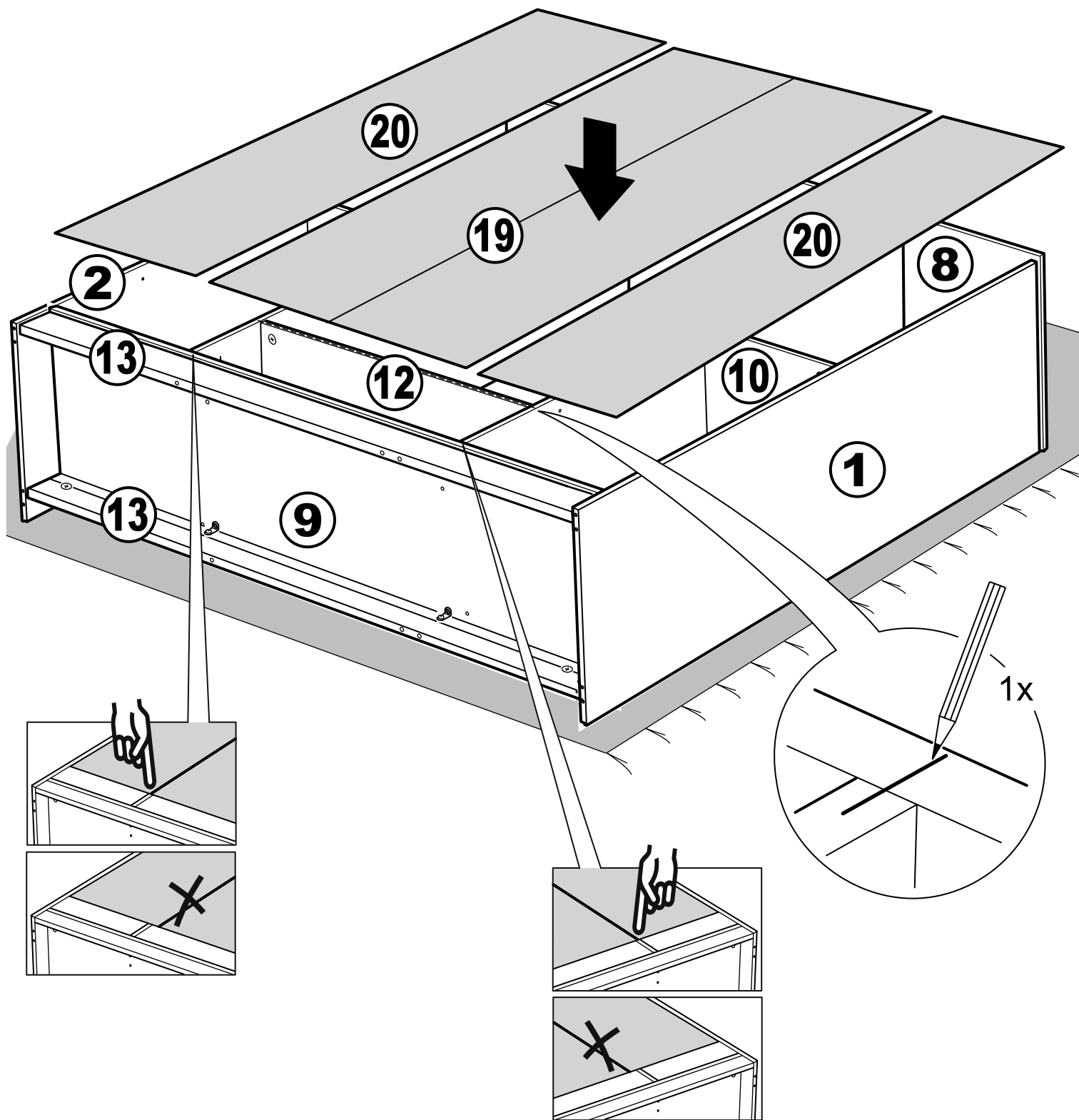


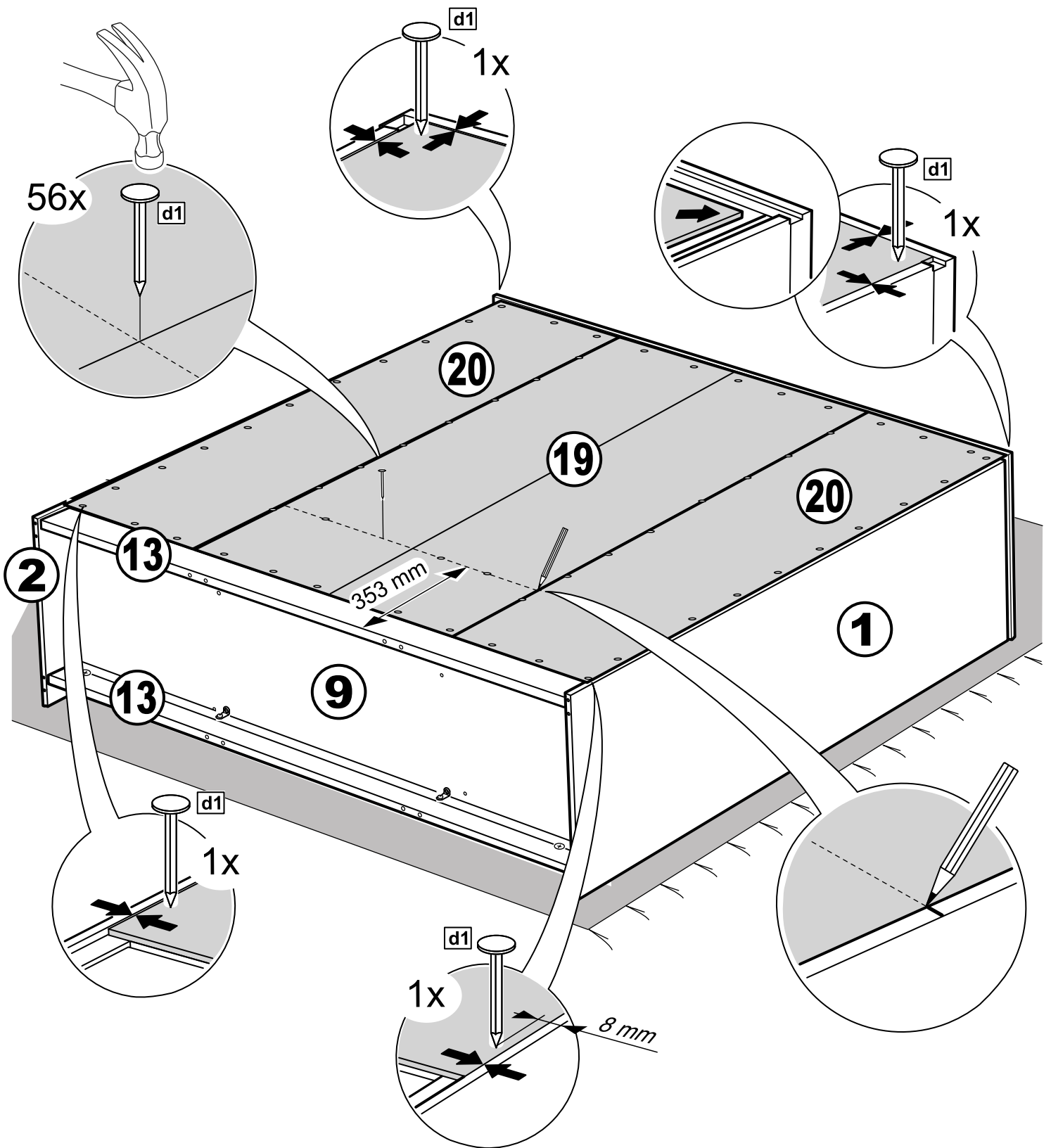
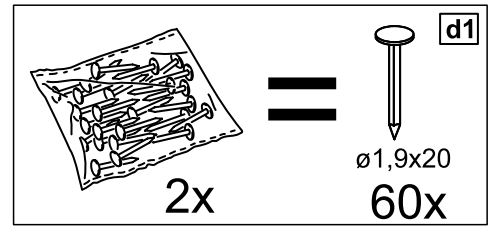
11

9

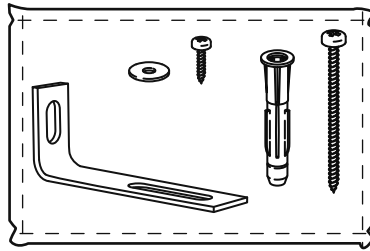
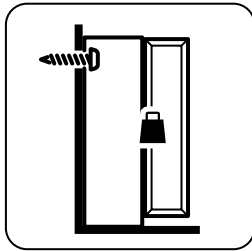


10

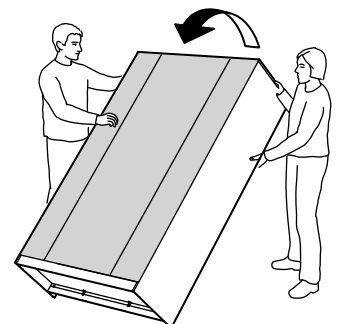
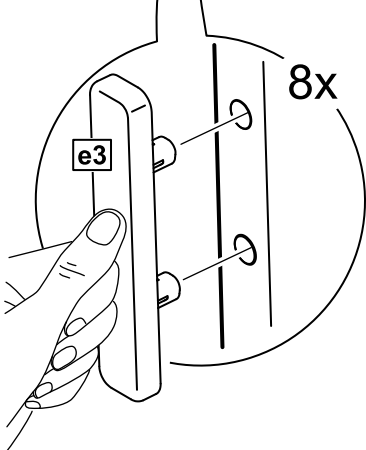
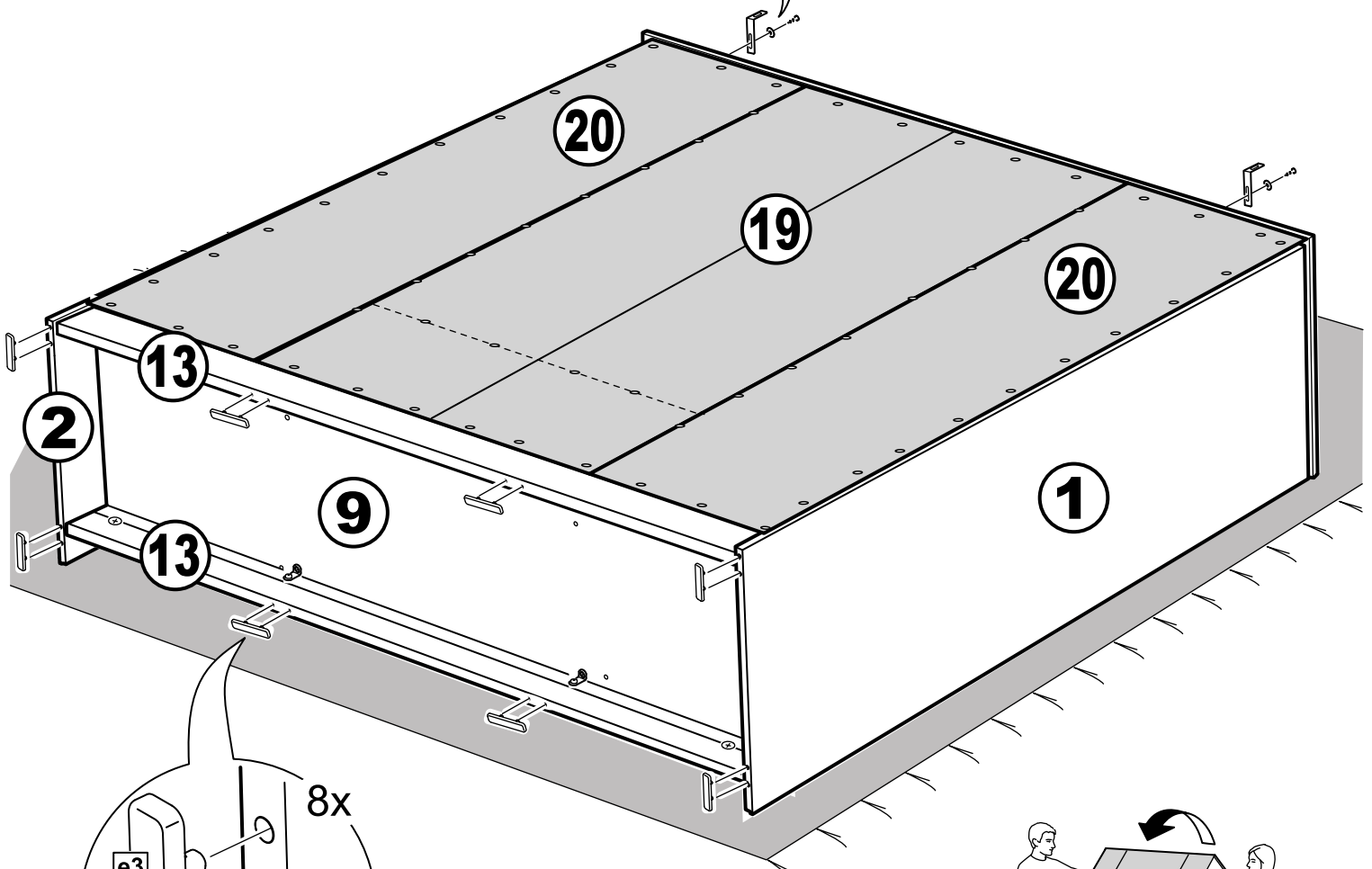
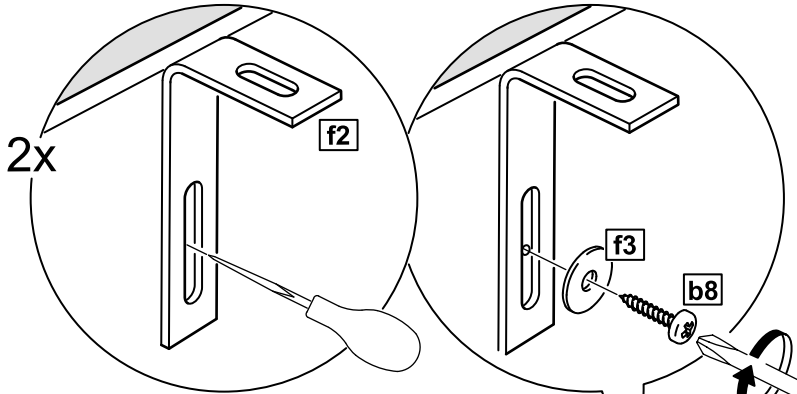




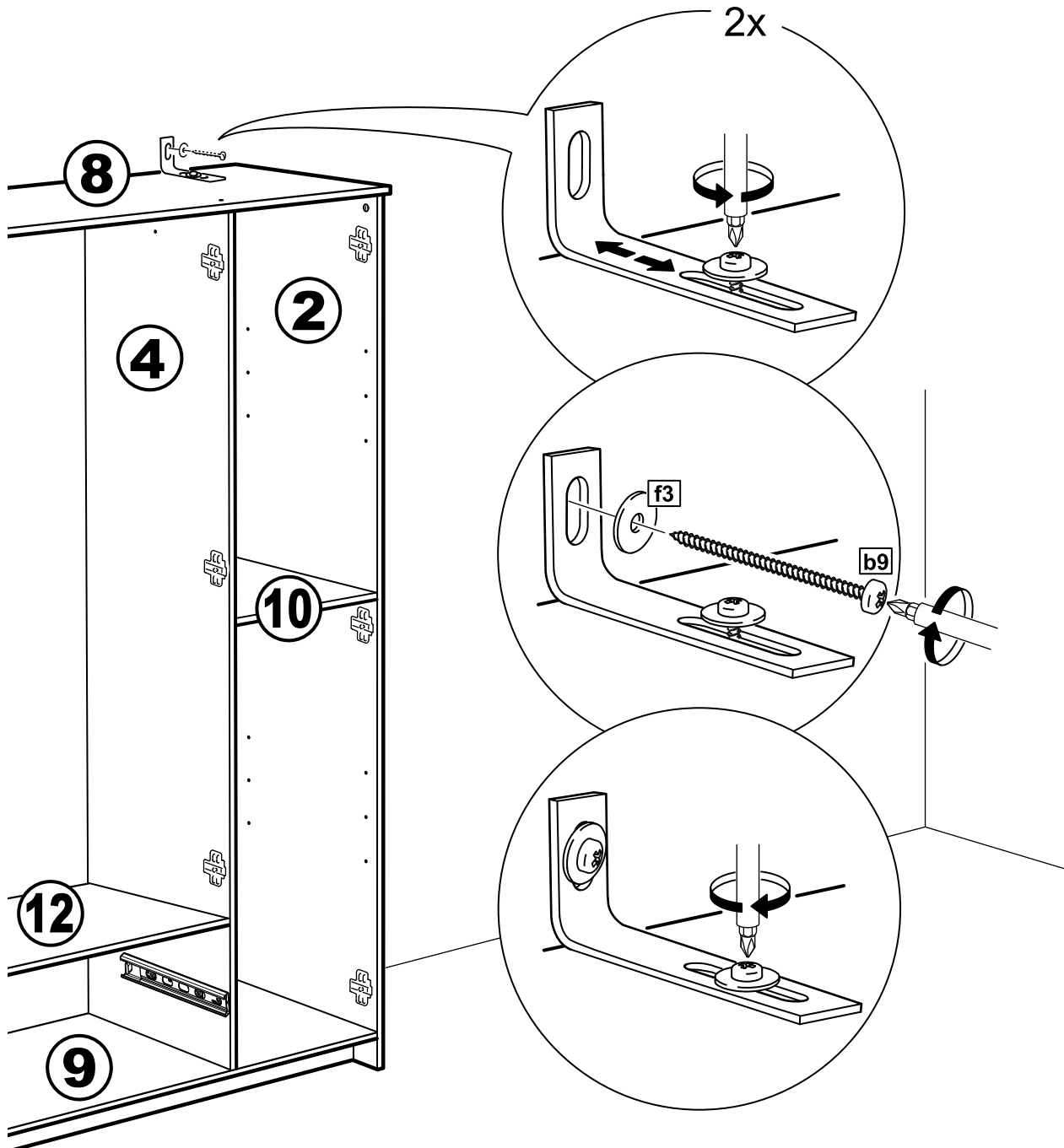
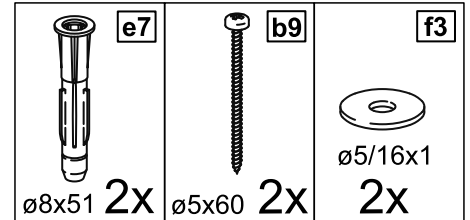
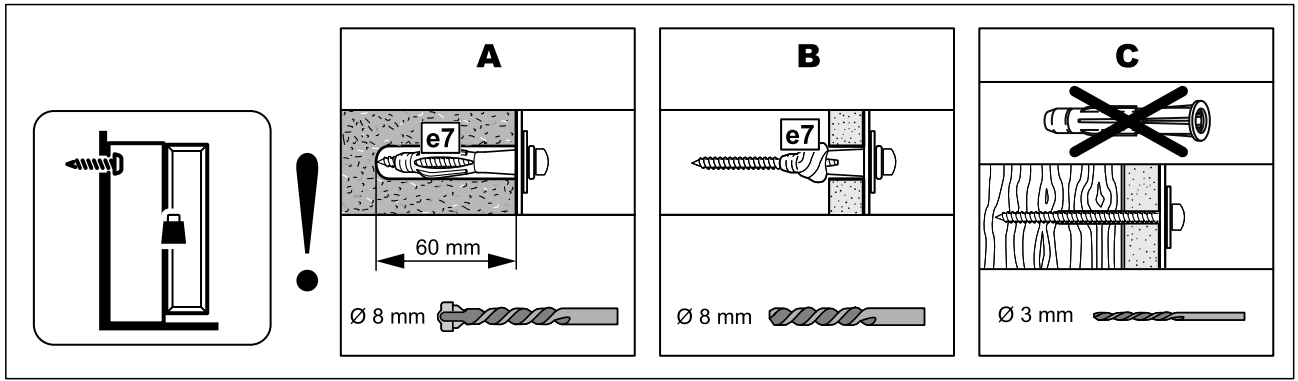
12

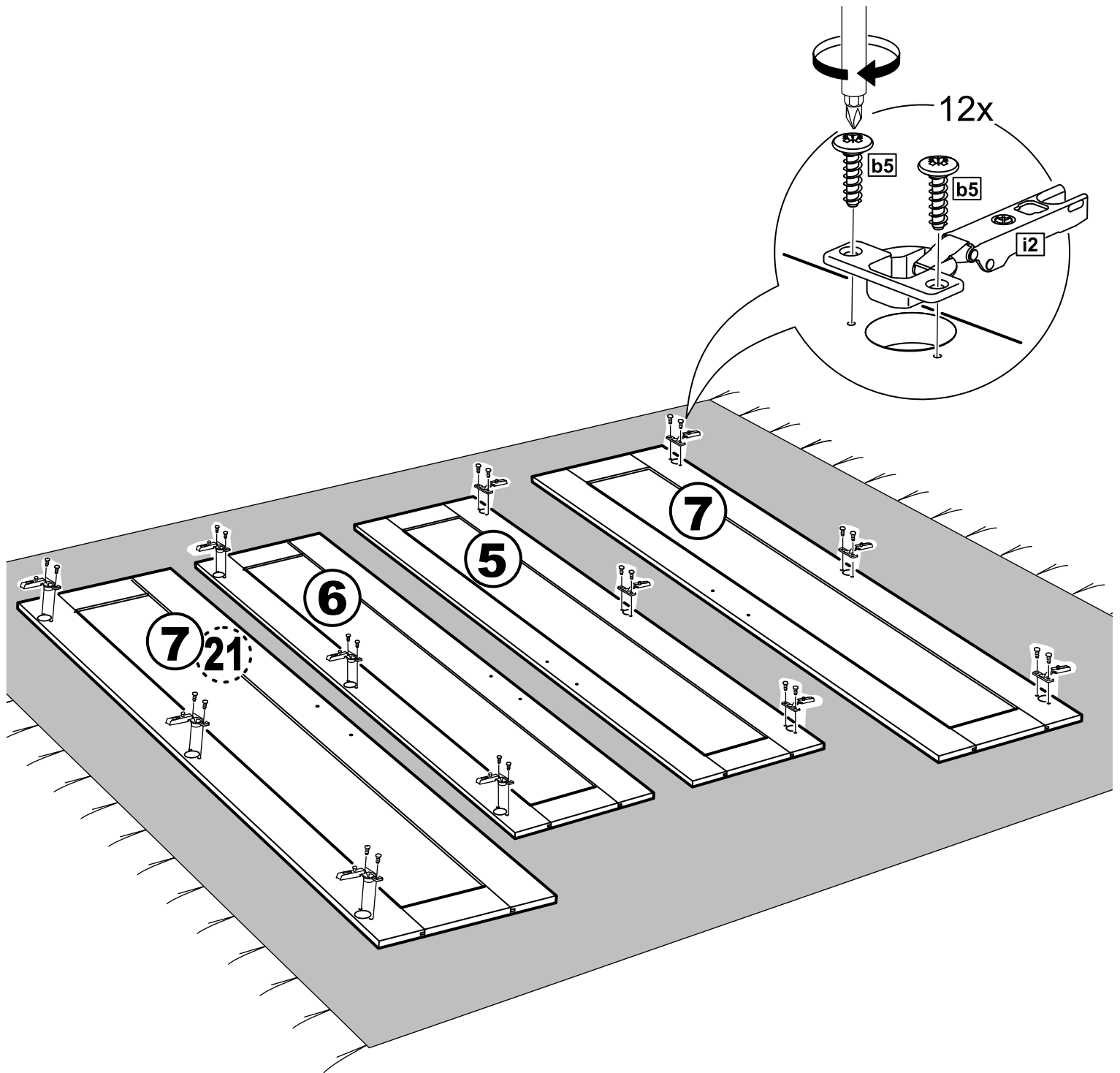
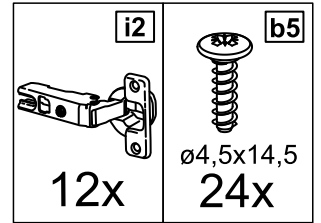


 ø4x16 2x	 ø5/16x1 2x
 75x15 2x	 8x

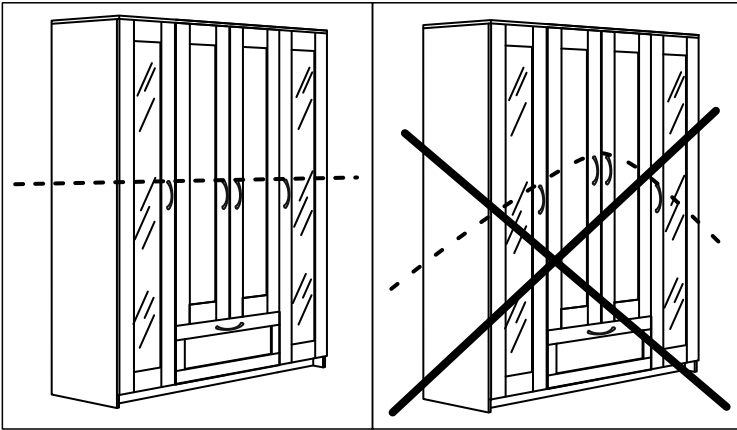


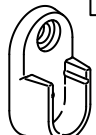

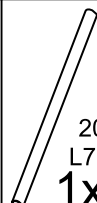

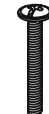

13

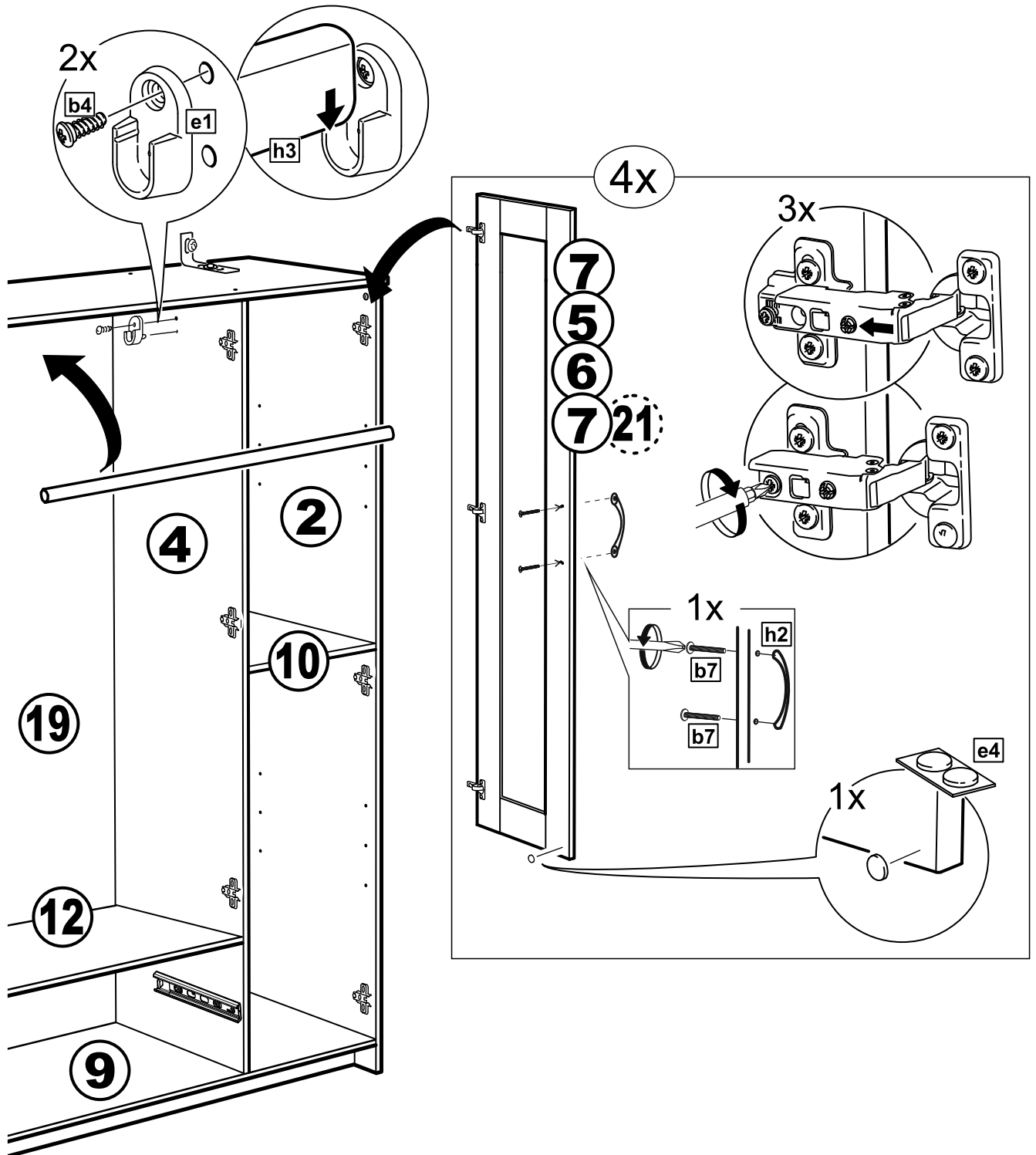


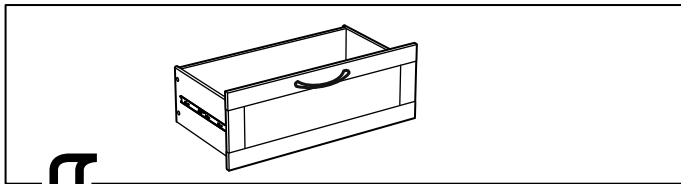


15

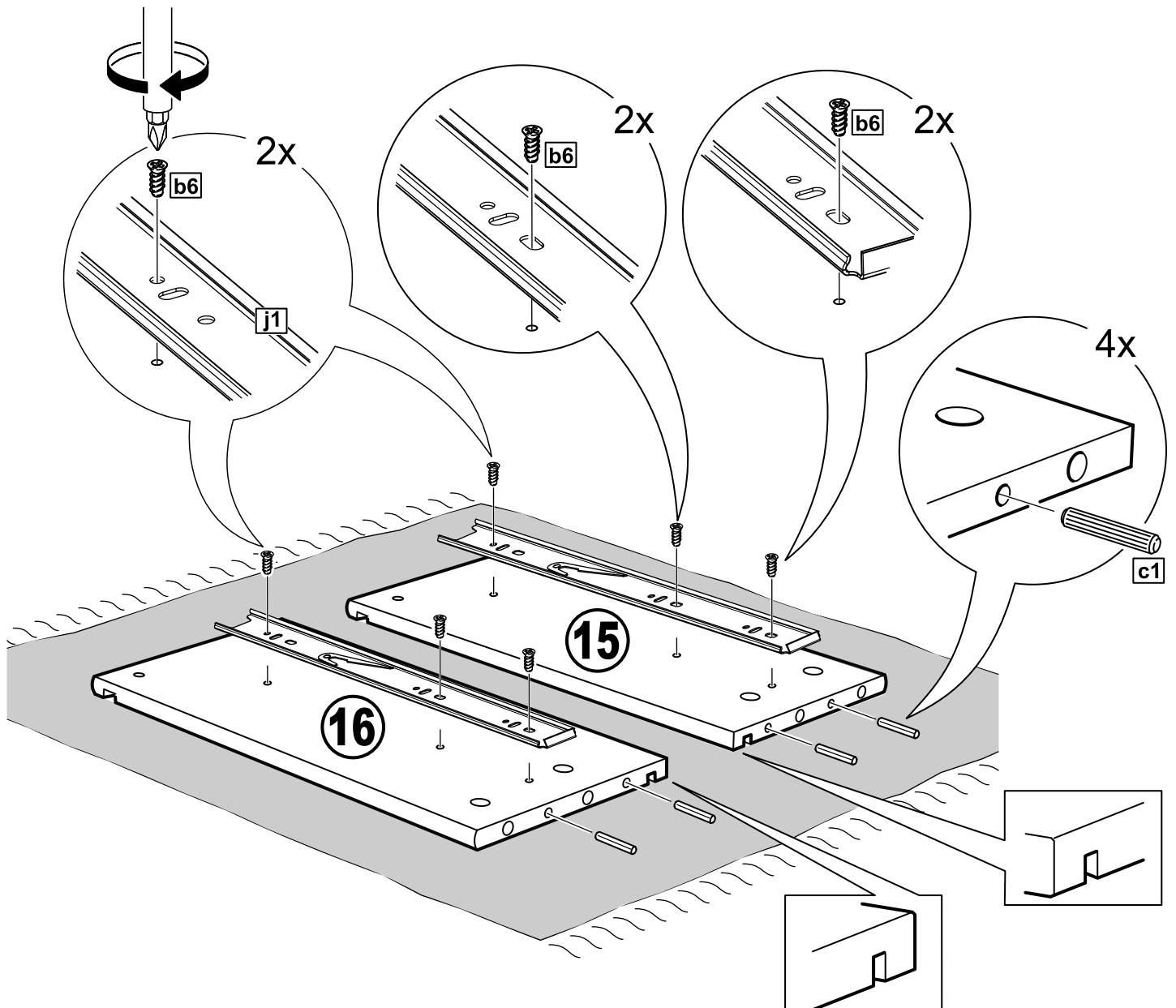
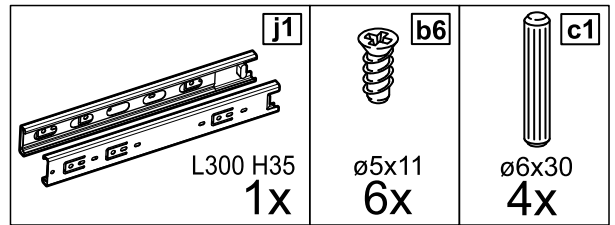


 2x	 ø6,3x13 2x	 20x15 L735,5 1x
 4x	 M4x20 8x	 2x

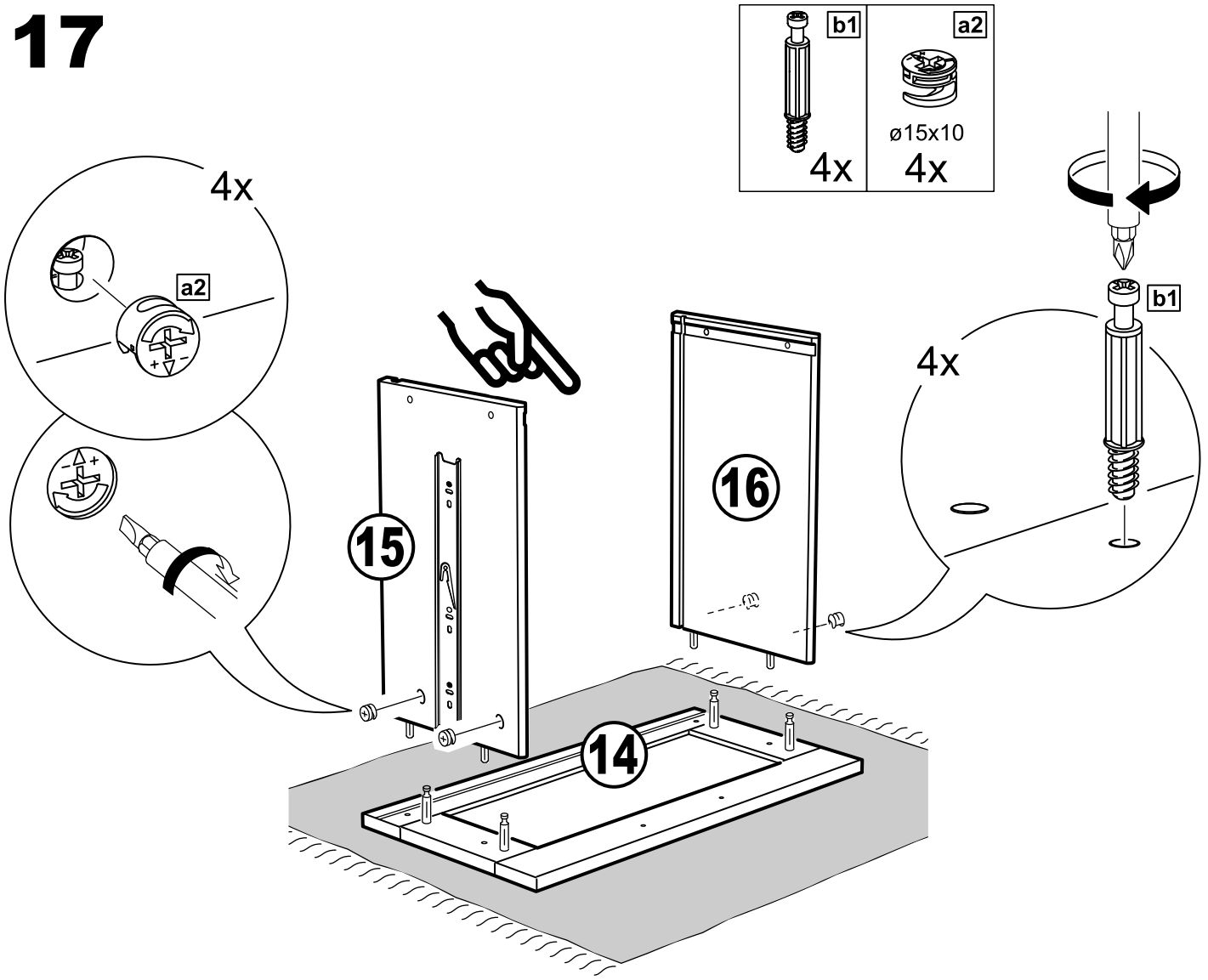




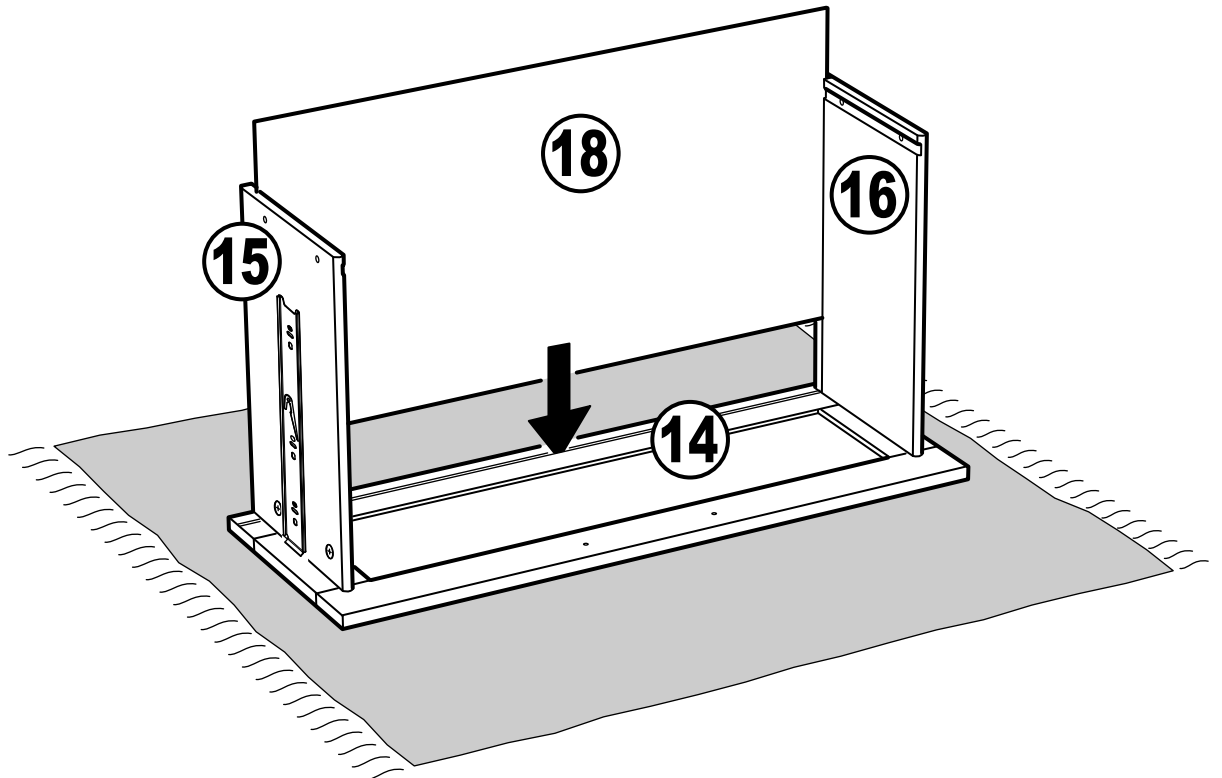
↓
16



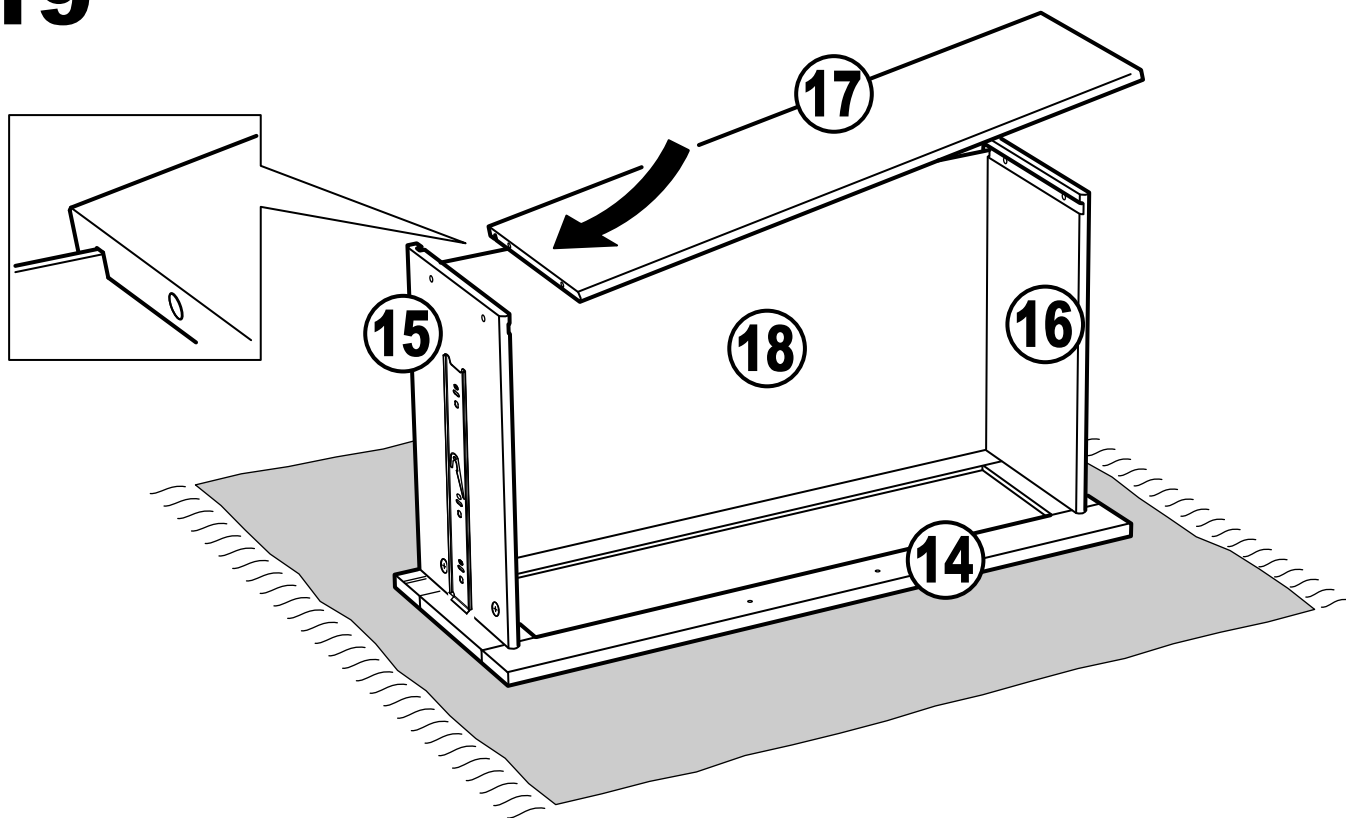
17



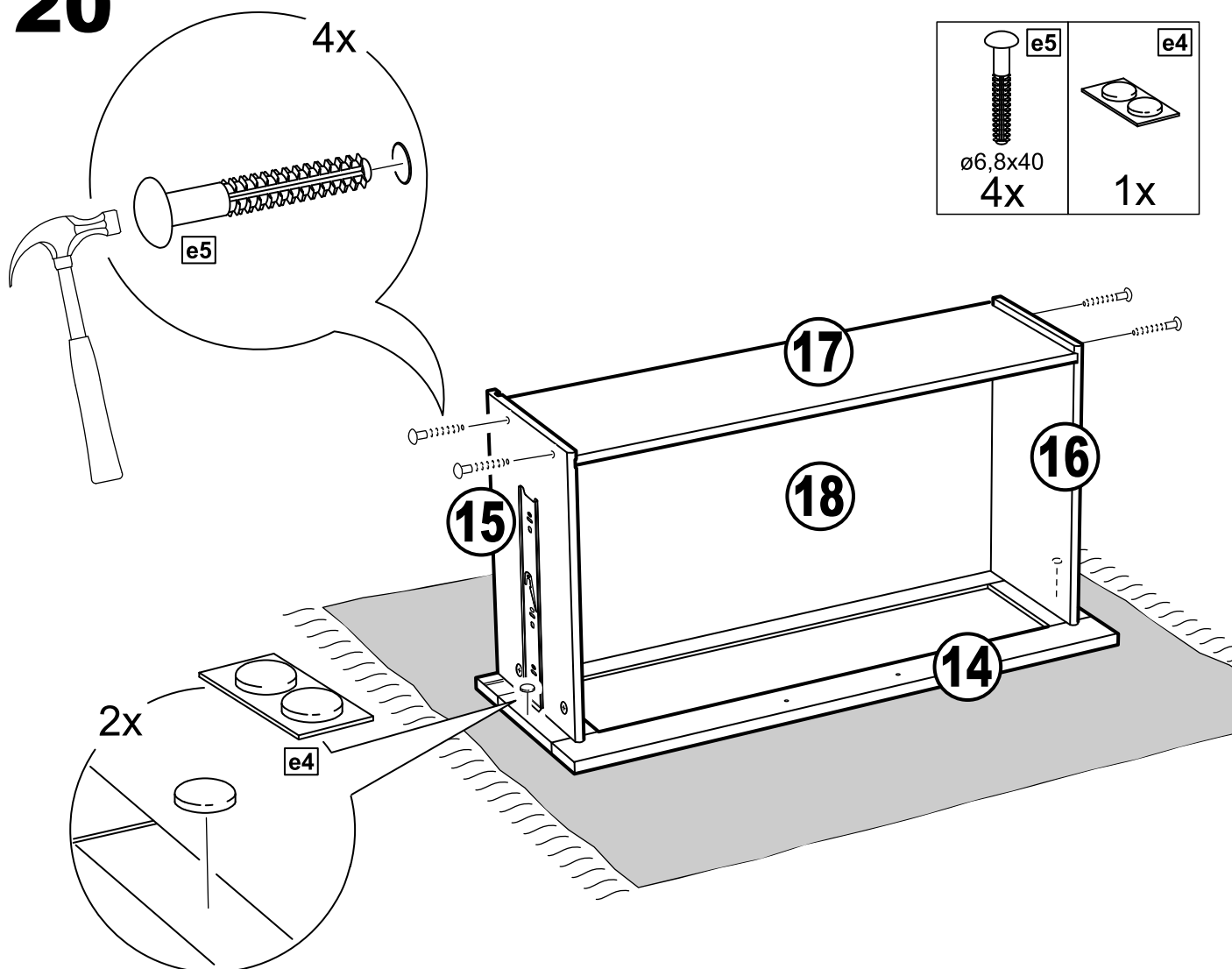
18



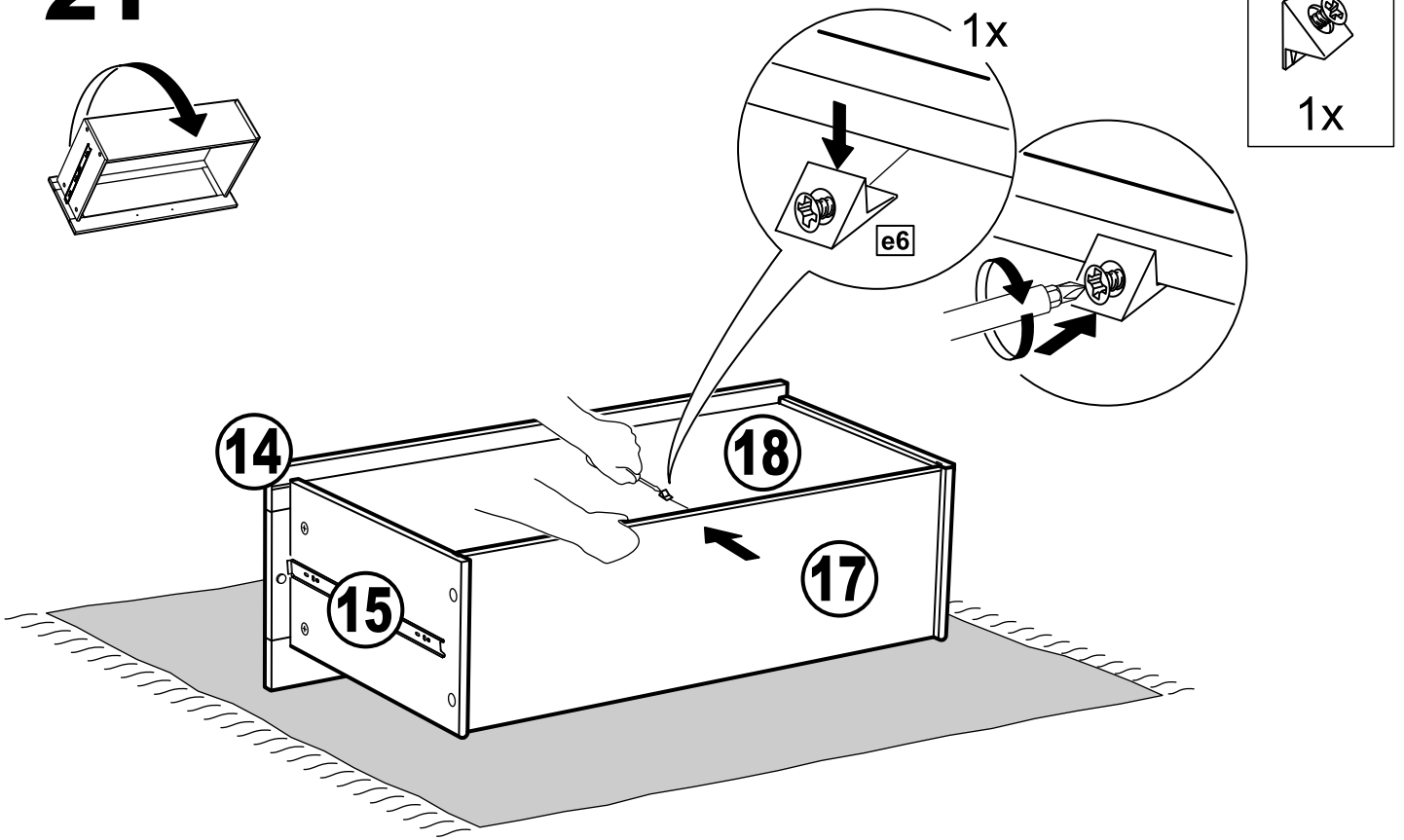
19



20



21



22

